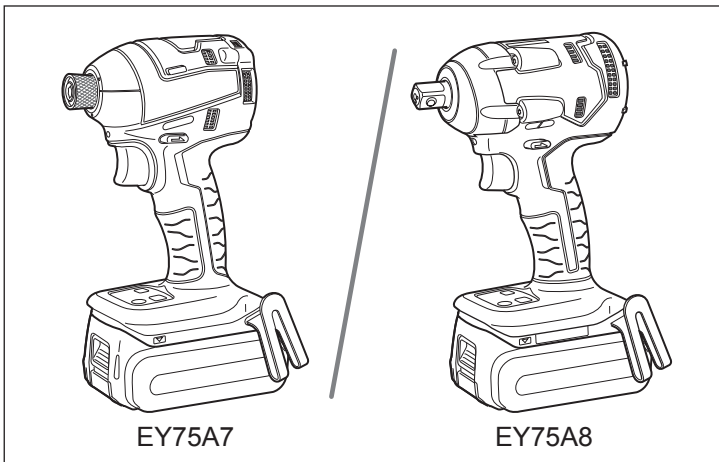


Panasonic

**Cordless Impact Driver / Cordless Impact Wrench
Perceuse à impact sans fil / Clé de serrage à impact sans fil
Destornillador de impacto inalámbrico / Llave de impacto inalámbrica**

**Operating Instructions
Instructions d'utilisation
Manual de instrucciones**

Model No: EY75A7 / EY75A8



IMPORTANT

This manual contains safety information. Read manual completely before first using this product and save this manual for future use.

IMPORTANT

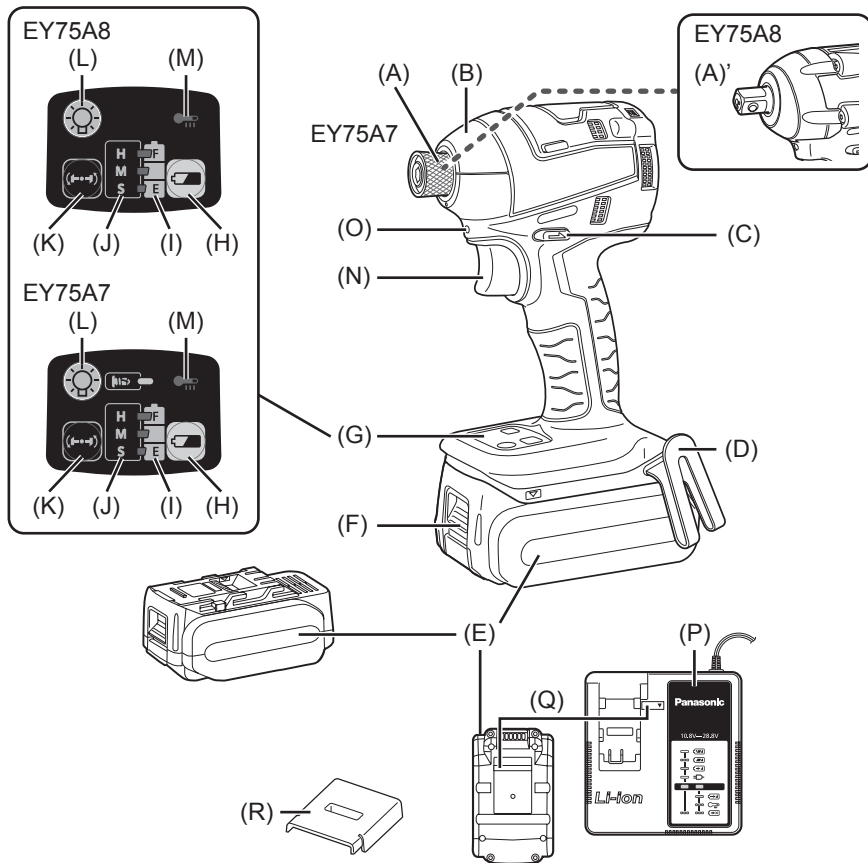
Ce mode d'emploi contient des informations sur la sécurité. Lisez-le en entier avant d'utiliser le produit et conservez-le pour référence.

IMPORTANTE

Este manual contiene información de seguridad. Lea completamente este manual antes de utilizar por primera vez este producto, y guárdelo para poder consultarlo en el futuro.

Register online at www.panasonic.com/register

FUNCTIONAL DESCRIPTION DESCRIPTION DES FONCTIONS DESCRIPCIÓN FUNCIONAL



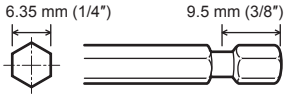
(A)	6.35 mm hex quick connect chuck Mandrin de connexion rapide hexagonal de 6,35 mm Mandril hexagonal de conexión rápida de 6,35 mm	(A)	Square drive (ball detent) Mandrin Portabroca
(B)	Nose protector Protection du bec Protector del morro	(C)	Forward/Reverse lever Lever d'inversion marche avant-marche arrière Palanca de avance/inversión
(D)	Belt hook Crochet de ceinture Gancho del cinturón	(E)	Battery pack Batterie autonome Batería
(F)	Battery pack release button Bouton de libération de batterie autonome Botón de liberación de batería	(G)	Control panel Panneau de commande Panel de controle
(H)	Battery level button Bouton de niveau de la batterie Botón de nivel de la batería	(I)	Battery level indicator Indicateur de niveau de la batterie Indicador de nivel de la batería
(J)	Impact power mode display Affichage du mode de puissance de percussion Indicación de modo de potencia de impacto	(K)	Impact power mode button Bouton du mode de puissance de percussion Botón de modo de potencia de impacto
(L)	Light button Bouton d'éclairage Botón de la luz	(M)	Overheat warning lamp (motor/battery) Témoin d'avertissement de surchauffe (moteur/batterie) Luz de advertencia de sobrecalentamiento (motor/batería)
(N)	Variable speed control trigger Gâchette de commande de vitesse Disparador del control de velocidad variable	(O)	LED light Lumière DEL Luz indicadora
(P)	Battery charger Chargeur de batterie Cargador de batería	(Q)	Alignment marks Marques d'alignement Marcas de alineación
(R)	Pack cover Couvercle de la batterie autonome Cubierta de batería		

NOTE: Not all battery packs display the alignment mark (Q).

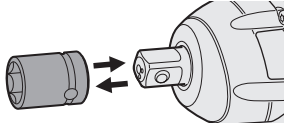
REMARQUE: Certaines batteries autonomes ne présentent pas de marque d'alignement (Q).

NOTA: No todas las baterías muestran la marca de alineamiento (Q).

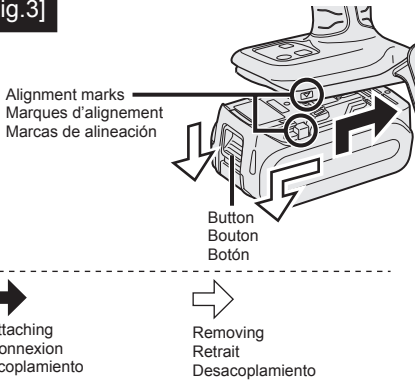
[Fig. 1]



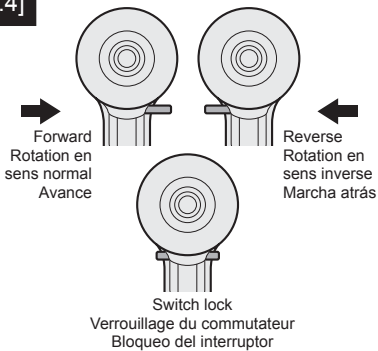
[Fig. 2]



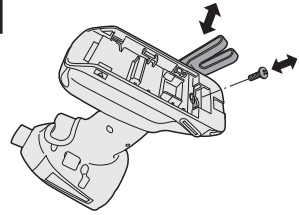
[Fig. 3]



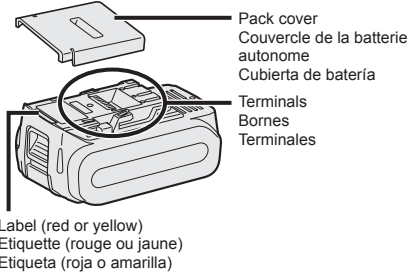
[Fig. 4]



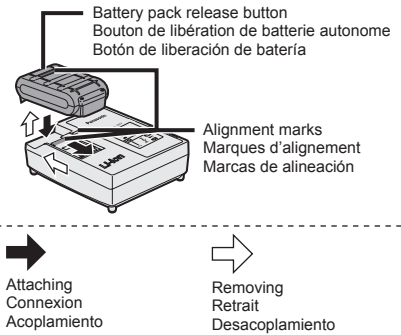
[Fig. 5]



[Fig. 6]



[Fig. 7]



This tool, as a complete unit with a battery pack, satisfies appropriate IP Degrees of Protection based on the IEC regulations.

Definition of IP code

IP5X: Ingress of dust is not totally prevented, but dust shall not penetrate in a quantity to interfere with satisfactory operation of the tool or to impair safety (In case that the talcum powder under 75 µm intrudes inside the tool).

IPX6: Water projected in powerful jets against the tool from any direction shall have no harmful effects (In case that, with a nozzle of 12.5 mm inner diameter, approximately 100 L/min of normal temperature water is injected to the tool for 3 minutes from 3 meter distance).

LIMITED WARRANTY

The rating of IP56 qualifies this tool for the minimum impact of water or dust, but not for the assurance of performance in such conditions. See Safety and Operating Instructions for further details for proper operation.

I. GENERAL SAFETY RULES

⚠ WARNING! Read all instructions

Failure to follow all instructions listed below may result in electric shock, fire and/or serious injury. The term "power tool" in all of the warnings listed below refers to your main operated (corded) power tool and battery operated (cordless) power tool.

SAVE THESE INSTRUCTIONS

Work Area Safety

- 1) **Keep work area clean and well lit.**
Cluttered or dark areas invite accidents.
- 2) **Do not operate power tools in explosive atmospheres, such as in the presence of flammable liquids, gases or dust.**
Power tools create sparks which may ignite the dust or fumes.

- 3) **Keep children and bystanders away while operating a power tool.**

Distractions can cause you to lose control.

Electrical Safety

- 1) **Power tool plugs must match the outlet. Never modify the plug in any way. Do not use any adapter plugs with earthed (grounded) power tools.**
Unmodified plugs and matching outlets will reduce risk of electric shock.
- 2) **Avoid body contact with earthed or grounded surfaces such as pipes, radiators, ranges and refrigerators.**
There is an increased risk of electric shock if your body is earthed or grounded.
- 3) **Do not expose power tools to rain or wet conditions.**
Water entering a power tool will increase the risk of electric shock.
- 4) **Do not abuse the cord. Never use the cord for carrying, pulling or unplugging the power tool. Keep cord away from heat, oil, sharp edges or moving parts.**
Damaged or entangled cords increase the risk of electric shock.
- 5) **When operating a power tool outdoors, use an extension cord suitable for outdoor use.**
Use of a cord suitable for outdoor use reduces the risk of electric shock.
- 6) **If operating a power tool in a damp location is unavoidable, use a residual current device (RCD) protected supply.**
Use of RCD reduces the risk of electrical shock.

Personal Safety

- 1) **Stay alert, watch what you are doing and use common sense when operating a power tool. Do not use a power tool while you are tired or under the influence of drugs, alcohol or medication.**
A moment of inattention while operating power tools may result in personal injury.
- 2) **Use safety equipment. Always wear eye protection.**
Safety equipment such as dust mask, non-skid safety shoes, hard hat, or hearing protection used for appropriate conditions will reduce personal injuries.
- 3) **Avoid accidental starting. Ensure the switch is in the off position before plugging in.**
Carrying power tools with your finger on the switch or plugging in the power tools that have the switch on invites accidents.
- 4) **Remove any adjusting key or wrench before turning the power tool on.**
A wrench or a key left attached to a rotating part of the power tool may result in personal injury.
- 5) **Do not overreach. Keep proper footing and balance at all times.**
This enables better control of the power tool in unexpected situations.
- 6) **Dress properly. Do not wear loose clothing or jewelry. Keep your hair, clothing and gloves away from moving parts.**
Loose clothes, jewelry or long hair can be caught in moving parts.
- 7) **If devices are provided for the connection of dust extraction and collection facilities, ensure these are connected and properly used.**
Use of these devices can reduce dust related hazards.

Power Tool Use and Care

- 1) **Do not force the power tool. Use the correct power tool for your application.**
The correct power tool will do the job better and safer at the rate for which it was designed.
- 2) **Do not use the power tool if the switch does not turn it on and off.**
Any power tool that cannot be controlled with the switch is dangerous and must be repaired.
- 3) **Disconnect the plug from the power source and/or the battery pack from the power tool before making any adjustments, changing accessories, or storing power tools.**
Such preventive safety measures reduce the risk of starting the power tool accidentally.
- 4) **Store idle power tools out of the reach of children and do not allow persons unfamiliar with the power tool or these instructions to operate the power tool.**
Power tools are dangerous in the hands of untrained users.
- 5) **Maintain power tools. Check for misalignment or binding of moving parts, breakage of parts and any other condition that may affect the power tools operation. If damaged, have the power tool repaired before use.**
Many accidents are caused by poorly maintained power tools.
- 6) **Keep cutting tools sharp and clean.**
Properly maintained cutting tools with sharp cutting edges are less likely to bind and are easier to control.
- 7) **Use the power tool, accessories and tool bits etc. in accordance with these instructions and in the manner intended for the particular type of power tool, taking into account the working conditions and the work to be performed.**
Use of the power tool for operations different from those intended could result in a hazardous situation.

- 8) Hold power tools by insulated gripping surfaces when performing an operation where the cutting tool may contact hidden wiring. Contact with a “live” wire will make exposed metal parts of the tool “live” and shock the operator.

Battery Tool Use and Care


- 1) **Ensure the switch is in the off position before inserting battery pack.**
Inserting battery pack into power tools that have the switch on invites accidents.
- 2) **Recharge only with the charger specified by the manufacturer.**
A charger that is suitable for one type of battery pack may create a risk of fire when used with another battery pack.
- 3) **Use power tools only with specifically designated battery packs.**
Use of any other battery packs may create a risk of injury and fire.
- 4) **When battery pack is not in use, keep it away from other metal objects like paper clips, coins, keys, nails, screws, or other small metal objects that can make a connection from one terminal to another.**
Shorting the battery terminals together may cause burns, or a fire.
- 5) **Under abusive conditions, liquid may be ejected from battery; avoid contact. If contact accidentally occurs, flush with water. If liquid contacts eyes, additionally seek medical help.**
Liquid ejected from the battery may cause irritation or burns.

Service

- 1) **Have your power tool serviced by a qualified repair person using only identical replacement parts.**
This will ensure that the safety of power tool is maintained.

II. SPECIFIC SAFETY RULES

- 1) Wear ear protection. Exposure to noise can cause hearing loss.
- 2) Be aware that this tool is always in an operating condition, since it does not have to be plugged into an electrical outlet.
- 3) If the bit becomes jammed, immediately turn the trigger switch off to prevent an overload which can damage the battery pack or motor. Use reverse motion to loosen jammed bits.
- 4) Do NOT operate the Forward/Reverse lever when the trigger switch is on. The battery will discharge rapidly and damage to the unit may occur.
- 5) When storing or carrying the tool, set the Forward/Reverse lever to the center position (switch lock).
- 6) Do not strain the tool by holding the speed control trigger halfway (speed control mode) so that the motor stops. The protection circuit will activate and may prevent speed control operation. If this happens, release the speed control trigger and squeeze again for normal operation.
- 7) Be careful not to get dust inside the chuck.
- 8) Do not touch the rotating parts to avoid injury.
- 9) Do not use the tool continuously for a long period of time. Stop using the tool from time to time to avoid temperature rise and heat overload of the motor.
- 10) Do not drop the tool.

Symbol	Meaning
V	Volts
— — —	Direct current
n_0	No load speed
$\dots \text{min}^{-1}$	Revolutions or reciprocations per minutes
Ah	Electrical capacity of battery pack
	To reduce the risk of injury user must read and understand instruction manual.

⚠ WARNING:

Some dust created by power sanding, sawing, grinding, drilling, and other construction activities contains chemicals known to the State of California to cause cancer, birth defects or other reproductive harm. Some examples of these chemicals are:

- Lead from lead-based paints
- Crystalline silica from bricks and cement and other masonry products
- Arsenic and chromium from chemically-treated lumber.

To reduce your exposure to these chemicals: work in a well ventilated area, and work with approved safety equipment, such as dust masks that are specially designed to filter out microscopic particles.

III. FOR BATTERY CHARGER & BATTERY PACK

Important Safety Instructions

- 1) **SAVE THESE INSTRUCTIONS**—This manual contains important safety and operating instructions for battery charger.
- 2) Before using battery charger, read all instructions and cautionary markings on battery charger, battery pack, and product using battery pack.

- 3) **CAUTION**—To reduce the risk of injury, charge only Panasonic Battery Pack as shown in last page. Other types of batteries may burst causing personal injury and damage.
- 4) Do not expose charger and battery pack to rain or snow.
- 5) To reduce risk of damaging the electric plug and cord, pull by plug rather than cord when disconnecting charger.
- 6) Make sure cord is located so that it will not be stepped on, tripped over, or otherwise subjected to damage or stress.
- 7) An extension cord should not be used unless absolutely necessary. Use of improper extension cord could result in a risk of fire and electric shock. If extension cord must be used, make sure that:
 - a. pins on plug of extension cord are the same number, size and shape as those of plug on charger.
 - b. extension cord is properly wired and in good electrical condition.
 - c. wire size is large enough for ampere rating of charger as specified below.

RECOMMENDED MINIMUM AWG SIZE OF EXTENSION CORDS FOR BATTERY CHARGERS				
AC Input Rating	Amperes	AWG Size of Cord		
Equal to or greater than	But less than	Length of Cord, Feet		
		25	50	100 150
0	2	18	18	18 16

- 8) Do not operate charger with damaged cord or plug—replace them immediately.
- 9) Do not operate charger if it has received a sharp blow, been dropped, or otherwise damaged in any way; take it to a qualified service personnel.
- 10) Do not disassemble charger; take it to a qualified service personnel when service or repair is required. Incorrect reassembly may result in a risk of electric shock or fire.

- 11) To reduce the risk of electric shock, unplug charger from outlet before attempting any maintenance or cleaning.
- 12) The charger and battery pack are specifically designed to work together. Do not attempt to charge any other cordless tool or battery pack with this charger.
- 13) Do not attempt to charge the battery pack with any other charger.
- 14) Do not attempt to disassemble the battery pack housing.
- 15) Do not store the tool and battery pack in locations where the temperature may reach or exceed 50°C (122°F) (such as a metal tool shed, or a car in the summer), which can lead to deterioration of the storage battery.
- 16) Do not charge battery pack when the temperature is BELOW 0°C (32°F) or ABOVE 40°C (104°F). This is very important in order to maintain optimal condition of the battery pack.
- 17) Do not incinerate the battery pack. It can explode in a fire.
- 18) Avoid dangerous environment. Do not use charger in damp or wet locations.
- 19) The charger is designed to operate on standard household electrical power only. Do not attempt to use it on any other voltage!
- 20) Do not abuse cord. Never carry charger by cord or yank it to disconnect from outlet. Keep cord away from heat, oil and sharp edges.
- 21) Charge the battery pack in a well ventilated place, do not cover the charger and battery pack with a cloth, etc., while charging.
- 22) Use of an attachment not recommended may result in a risk of fire, electric shock, or personal injury.
- 23) Do not short the battery pack. A battery short can cause a large current flow, over heating and create the risk of fire or personal injury.
- 24) NOTE: If the supply cord of this appliance is damaged, it must only be replaced by a repair shop authorized by the manufacturer, because special purpose tools are required.
- 25) TO REDUCE THE RISK OF ELECTRIC SHOCK, THIS APPLIANCE HAS A POLARIZED PLUG (ONE BLADE IS WIDER THAN THE OTHER).
This plug will fit in a polarized outlet only one way. If the plug does not fit fully in the outlet, reverse the plug. If it still does not fit, contact a qualified electrician to install the proper outlet. Do not change the plug in any way.

⚠ WARNING:

- Do not use other than the Panasonic battery packs that are designed for use with this rechargeable tool.
- Panasonic is not responsible for any damage or accident caused by the use of recycled or counterfeit battery pack.
- Do not dispose of the battery pack in a fire, or expose it to excessive heat.
- Do not allow metal objects to touch the battery pack terminals.
- Do not carry or store the battery pack in the same container as nails or similar metal objects.
- Do not charge the battery pack in a high-temperature location, such as next to a fire or in direct sunlight. Otherwise, the battery may overheat, catch fire, or explode.
- After removing the battery pack from the tool or the charger, always reattach the pack cover. Otherwise, the battery contacts could be shorted, leading to a risk of fire.
- When the Battery Pack Has Deteriorated, Replace It with a New One. Continued use of a damaged battery pack may result in heat generation, ignition or battery rupture.
- To prevent leakage, overheating, smoke generation, fire, and rupturing from occurring, follow these instructions when handling our rechargeable power tools (tool main body/battery pack/charger).
 - Do not allow material cuttings or dust to fall onto the battery pack.
 - When storing, remove any material cuttings and dust from the battery pack, and place the battery pack separately from metal objects (screws, nails, etc.) when storing in the tool case.
- Do not handle the rechargeable power tools in the following way. (There is a hazard of smoke generation, fire, and rupturing)
 - Use or leave in places exposed to rain or moisture
 - Use submerging in water

IV. ASSEMBLY**NOTE:**

When attaching or removing a bit, disconnect battery pack from tool or place the switch in the center position (switch lock).

Attaching or Removing Bit

1. Hold the collar of quick connect chuck and pull it out from the driver.
2. Insert the bit into the chuck. Release the collar.
3. The collar will return to its original position when it is released.
4. Pull the bit to make sure it does not come out.
5. To remove the bit, pull out the collar in the same way.

CAUTION:

If the collar does not return to its original position or the bit comes out when pulled on, the bit has not been properly attached. Make sure the bit is properly attached before use.

Use 6.35 mm hexagonal bits.

To ensure proper securement of the bit, use only hexagonal bits with 9.5 mm detent. [Fig.1]

Attaching or Removing Socket [Fig.2]

1. Attaching Socket
Attach the socket by aligning the hole with the ball detent on the square drive. Make sure the socket is firmly connected to the body.
2. Removing Socket
Pull out the socket.

NOTE:

Keep the body above freezing point (0°C 32°F) when attach or detach sockets to the square drive on the body. The cushion rubber in the square drive to push up the ball may get hard under freezing point. This requires extra force in attaching and detaching sockets.

Attaching or Removing Battery Pack

1. To attach the battery pack: [Fig.3 ➡]
Align the highlighted marker points and attach battery pack.
Slide the battery pack until it locks into position.
2. To remove the battery pack: [Fig.3 ⇨]
Push the button and slide the battery pack forward.

V. OPERATION

⚠ WARNING!

- Do not inhale any smoke emitted from the tool or battery pack as it may be harmful.

[Main Body]

CAUTION

- When storing or carrying the tool, set the Forward/Reverse lever to the center position (switch lock).

NOTE:

Exercise caution to ensure no objects come into contact with the tool's trigger switch.

If an object comes into contact with the tool's trigger switch, even while the Forward/Reverse lever is in the center position (locked), a small amount of electric current may continue flowing, which may cause an excessive discharge from the battery pack and subsequent battery pack failure.

Switch and Forward/Reverse Lever Operation [Fig.4]

1. Push the lever for forward or reverse rotation. Check the direction of the lever before using.
2. Depress the trigger switch slightly to start the tool slowly.
3. Speed will increase by pressing the trigger. The tool stops working immediately by releasing the trigger.

4. When done with an application, lock the switch by centering the lever.

NOTE:

The more the speed control trigger is pulled, the higher the speed becomes.

CAUTION:

When operating the tool by pulling the trigger, there may be a momentary lag before rotation starts. This does not signal a malfunction.

* This lag occurs as the tool's circuitry starts up when the trigger is pulled for the first time after installing a battery pack or after the tool has not been used for at least 1 minute (or at least 5 minutes when the LED is on). Rotation will start without any lag during second and subsequent operations.

Changing the Belt Hook Location Side [Fig.5]

The belt hook can be attached to either side of the unit.

1. Removing the hook
 - (1) Remove the screw.
 - (2) Draw out the hook.
2. Attaching the hook to the other side
 - (1) Insert the hook in the other side.
 - (2) Tighten the screw fully so that it securely fastened.

Impact Power Mode Select

The driver is preset to "Hard" impact mode setting when shipped from the manufacturer.

[EY75A7]




- Selecting the impact power among 4 modes (Hard, Self-drilling screw, Soft, Medium).

Press the impact power mode button to set it. The mode changes to Hard, Self-drilling screw, Soft or Medium each time the button is pressed.

[EY75A8]

- Selecting the impact power among 3 modes (Hard, Soft, Medium).

Press the impact power mode button to set it. The mode changes to Hard, Soft or Medium each time the button is pressed.

<p>Hard</p>  <p>EY75A7: 0 – 2500 rpm and 0 – 3100 i.p.m.</p> <p>EY75A8: 0 – 2500 rpm and 0 – 3600 i.p.m.</p>	<ul style="list-style-type: none"> Jobs requiring high torque where there is no possibility of breaking screw or chipping screw head. <ul style="list-style-type: none"> * Fastening larger size bolt (M8 or larger) * Fastening long wood screw
<p>Medium</p>  <p>EY75A7: 0 – 1450 rpm and 0 – 2900 i.p.m.</p> <p>EY75A8: 0 – 1500 rpm and 0 – 2900 i.p.m.</p>	<ul style="list-style-type: none"> Jobs requiring decent torque with minimizing the possibility of breaking screw, chipping screw head, or breaking bit. <ul style="list-style-type: none"> * Fastening smaller diameter bolt (such as M6)
<p>Soft</p>  <p>EY75A7: 0 – 950 rpm and 0 – 1900 i.p.m.</p> <p>EY75A8: 0 – 1000 rpm and 0 – 1900 i.p.m.</p>	<ul style="list-style-type: none"> Jobs requiring limited torque with eliminating the possibility of breaking screw, chipping screw head, or breaking bit. Jobs requiring minimal damage of finished exterior surface. <ul style="list-style-type: none"> * Fastening smaller diameter bolt (M6 or smaller) * Fastening into plastic * Installing drywall

* i.p.m. = Impact per minute.

Only for EY75A7

Self-drilling screw



0 – 2500 rpm
and
0 – 1200 i.p.m.

- Jobs requiring flush finish of self-drilling screw.
(dia. 4 mm × 15 mm or smaller)
(Automatic mode change starting from Hard mode to slower rpm before flush finish)

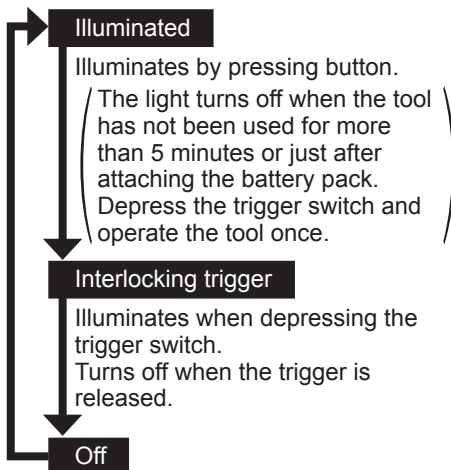
* i.p.m. = Impact per minute.

Avoid repeatedly depressing the switch when the bolts and screws are securely fastened.

Not doing so may cause a delay in rotation starting, or the Impact Power mode display to flash and prevent rotation from starting for circuit protection.

LED Light

Press the light button and set illumination condition.



The light illuminates with very low current, and it does not adversely affect the performance or its battery capacity.

CAUTION:

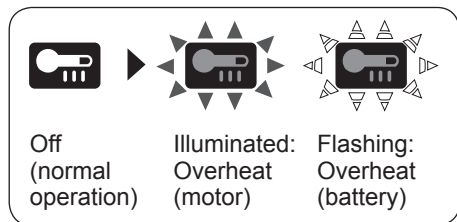
- The built-in LED light is designed to illuminate the small work area temporarily.

- Do not use it as a substitute for a regular flashlight, since it does not have enough brightness.

CAUTION: DO NOT STARE INTO BEAM.

Use of controls or adjustments or performance of procedures other than those specified herein may result in hazardous radiation exposure.

Overheat warning



Indicates operation has been halted due to motor or battery overheating.

To protect the motor or battery, be sure to note the following when carrying out this operation.

- If the motor or battery becomes hot, the protection function will be activated and the motor or battery will stop operating. The overheat warning lamp on the control panel illuminates or flashes when this feature is active.
- If the overheating protection feature activates, allow the tool to cool thoroughly (at least 30 minutes). The tool is ready for use when the overheat warning lamp goes out.
- Avoid using the tool in a way that causes the overheating protection feature to activate repeatedly.
- If the tool is operated continuously under high-load conditions or if it is used in hot-temperature conditions (such as during summer), the overheating protection feature may activate frequently.

- If the tool is used in cold-temperature conditions (such as during winter) or if it is frequently stopped during use, the overheating protection feature may not activate.

The performance of the EY9L42 deteriorates significantly at and below 10°C due to work conditions and other factors.

Battery Level Indicator

Press the battery level button.

Battery level indicator shows battery level in three levels while pressing the button. It shifts to Impact power mode when release the button.

NOTE:

The indicator will not show the battery level even the button is pressed in the following cases.

- The main unit is powered off.
- Just after attaching the battery pack
- The main unit or battery level button is not operated for approx. five minutes. Press the battery level button again after depressing the trigger switch.
- If the battery temperature is high, stop the operation and wait until the battery temperature is low.

Indicator	Battery status	
	3 lamps illuminated	Charged enough
	2 lamps illuminated	Approx. 60% remaining
	One lamp illuminated	Battery level is low. Need to be charged soon
	3 lamps flashing	Empty. Need to be charged immediately

Battery level indication is just guide. The indication may change due to the condition of battery or ambient temperature.

Excessive (complete) discharging of lithium ion batteries shortens their service life dramatically. The driver includes a battery protection feature designed to prevent excessive discharging of the battery pack.

[Battery Pack]

For Appropriate Use of Battery Pack [Fig.6]

- The rechargeable batteries have a limited life.
- For optimum battery life, store the Li-ion battery pack following use without charging it.
- When operating the battery pack, make sure the work place is well ventilated.

For safe use

- The battery pack is designed to be installed by proceeding two steps for safety. Make sure the battery pack is installed properly to the main unit before use.
- If the battery pack is not connected firmly when the switch is switched on, the overheat warning lamp and the battery low warning lamp will flash to indicate that safe operation is not possible, and the main unit will not rotate normally. Connect the battery pack into the unit of the tool until the red or yellow label disappears.

Battery Recycling

ATTENTION:

A Li-ion battery that is recyclable powers the product you have purchased. Please call 1-800-8-BATTERY for information on how to recycle this battery.



[Battery Charger]

Charging

⚠ CAUTION:

- 1) If the temperature of the battery pack falls approximately below -10°C (14°F), charging will automatically stop to prevent degradation of the battery.
- 2) The ambient temperature range is between 0°C (32°F) and 40°C (104°F).
If the battery pack is used when the battery temperature is below 0°C (32°F), the tool may fail to function properly.
- 3) Use the charger at temperatures between 0°C and 40°C , and charge the battery at a temperature similar to that of the battery itself. (There should be no more than a 15°C difference between the temperatures of the battery and the charging location.)
- 4) When charging a cool battery pack (below 0°C (32°F)) in a warm place, leave the battery pack at the place and wait for more than one hour to warm up the battery to the level of the ambient temperature.
- 5) Cool down the charger when charging more than two battery packs consecutively.
- 6) Do not insert your fingers into contact hole, when holding charger or any other occasions.
- 7) To prevent the risk of fire or damage to the battery charger.
 - Do not cover vent holes on the charger and the battery pack.
 - Unplug the charger when not in use.

NOTE:

Your battery pack is not fully charged at the time of purchase. Be sure to charge the battery before use.

How to charge

1. Plug the charger into the AC outlet.

NOTE:

Sparks may be produced when the plug is inserted into the AC power supply, but this is not a problem in terms of safety.




















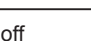
2. Connect the battery pack firmly into the charger.
 - 1 Line up the alignment marks and place the battery onto the dock on the charger.

NOTE:

Not all battery packs display the alignment mark (Q) (on page 2).

- 2 Slide forward in the direction of the arrow. [Fig.7 ➡]
3. During charging, the charging lamp will be lit. When charging is completed, an internal electronic switch will automatically be triggered to prevent overcharging.
 - Charging will not start if the battery pack is hot (for example, immediately after heavy-duty operation).
The orange standby lamp will be flashing until the battery cools down.
Charging will then begin automatically.
4. The charge lamp (green) will flash slowly once the battery is approximately 80% charged.
5. When charging is completed, the charging lamp in green color will turn off.
6. If the temperature of the battery pack is 0°C or less, charging takes longer to fully charge the battery pack than the standard charging time.
Even when the battery is fully charged, it will have approximately 50% of the power of a fully charged battery at normal operating temperature.
7. Consult an authorized dealer if the charging lamp (green) does not turn off.
8. If a fully charged battery pack is inserted into the charger again, the charging lamp lights up. After several minutes, the charging lamp in green color will turn off.
9. Remove the battery pack while the battery pack release button is held up. [Fig.7 ⇨]

LAMP INDICATIONS

		Charging is completed. (Full charge.)
		Battery is approximately 80% charged.
		Now charging.
		Charger is plugged into the AC outlet. Ready to charge.
 (Green)  (Orange)		Charging Status Lamp. Left: green Right: orange will be displayed.
		Battery pack is cool.
		The battery pack is being charged slowly to reduce the load on the battery.
		Battery pack is warm.
		Charging will begin when temperature of battery pack drops. If the temperature of the battery pack is -10° or less, the charging status lamp (orange) will also start flashing. Charging will begin when the temperature of the battery pack goes up.
		Charging is not possible. Clogged with dust or malfunction of the battery pack.



Turn off



Illuminated



Flashing

VI. MAINTENANCE

- Use only a dry, soft cloth for wiping the unit.
Do not use a damp cloth, thinner, benzine, or other volatile solvents for cleaning.
- In the event that the inside of the tool or battery pack is exposed to water, drain and allow to dry as soon as possible. Carefully remove any dust or iron filings that collect inside the tool. If you experience any problems operating the tool, consult with a repair shop.

VII. OPTIONAL ACCESSORIES

Use only suitable size of bit.

VIII. APPENDIX

MAXIMUM RECOMMENDED CAPACITIES

Model No.		EY75A7	EY75A8
Screw driving	Wood screw	Φ 3.5 mm – Φ 9.5 mm (1/8" – 3/8")	—
	Self-drilling screw	Φ 3.5 mm – Φ 6 mm (1/8" – 1/4")	
Bolt fastening	Standard bolt	M6 – M16 (1/4" – 5/8")	M10 – M20 (13/32" – 25/30")
	High tensile bolt	M6 – M12 (1/4" – 15/32")	M10 – M16 (13/32" – 5/8")

WARRANTY SUPPLEMENT

- The breakdown and damage caused by usage consistent for a long time (e.g.: factory work on the assembly line, etc.) is out of warranty.
- In the event that the inside of the tool or battery pack is exposed to water, drain and allow to dry as soon as possible. Carefully remove any dust or iron filings that collect inside the tool. If you experience any problems operating the tool, consult with a repair shop.

IX. SPECIFICATIONS

NOTE: Weight indication

Greater than or equal to 1 kg: indicated by 0.05 kg (0.11 lbs).

Less than 1 kg: indicated by 0.01 kg (0.02 lbs).

MAIN UNIT

Model No.		EY75A7		EY75A8	
Motor voltage		14.4 V DC	18 V DC	14.4 V DC	18 V DC
No load speed	Soft mode	0 – 950		0 – 1000	
	Medium mode	0 – 1450		0 – 1500	
	Hard mode	0 – 2500		0 – 2300	0 – 2500
[min ⁻¹ (rpm)]	Self-drilling screw mode	0 – 2500		—	
Maximum torque		155 N•m (15.8 kgf•m, 1370 in•lbs)	160 N•m (16.3 kgf•m, 1420 in•lbs)	260 N•m (26.5kgf•m, 2300 in•lbs)	280 N•m (28.6 kgf•m, 2480 in•lbs)
Impact per minute	Soft mode	0 – 1900			
	Medium mode	0 – 2900			
	Hard mode	0 – 3100		0 – 3400	0 – 3600
[min ⁻¹ (ipm)]	Self-drilling screw mode	0 – 1200		—	
Overall length		118 mm (4-21/32")		143 mm (5-5/8")	
Weight	EY9L45	1.55 kg (3.4 lbs)	—	1.65 kg (3.4 lbs)	—
	With battery pack:	EY9L51	—	1.70 kg (3.7 lbs)	1.80 kg (4.0 lbs)
	EY9L53	—	1.50 kg (3.3 lbs)	—	1.60 kg (3.5 lbs)

BATTERY PACK

Model No.	EY9L45	EY9L51	EY9L53
Storage battery	Li-ion battery		
Battery voltage	14.4 V DC	18 V DC	

NOTE : This chart may include models that are not available in your area.
Please refer to the latest general catalogue.

BATTERY CHARGER

Model No.	EY0L82			
Electrical rating	See the rating plate on the bottom of charger			
Weight	0.93 kg (2 lbs)			
Charging time	Model No.	EY9L45	EY9L51	EY9L53
	Full	60 min.	70 min	60 min

Federal Communication Commission Interference Statement

This equipment has been tested and found to comply with the limits for a Class B digital device, pursuant to Part 15 of the FCC Rules. These limits are designed to provide reasonable protection against harmful interference in a residential installation. This equipment generates, uses and can radiate radio frequency energy and, if not installed and used in accordance with the instructions, may cause harmful interference to radio communications. However, there is no guarantee that interference will not occur in a particular installation. If this equipment does cause harmful interference to radio or television reception, which can be determined by turning the equipment off and on, the user is encouraged to try to correct the interference by one of the following measures:

- Reorient or relocate the receiving antenna.
- Increase the separation between the equipment and receiver.
- Connect the equipment into an outlet on a circuit different from that to which the receiver is connected.
- Consult the dealer or an experienced radio/TV technician for help.

FCC Caution: To assure continued compliance, install and use in accordance with provided instructions. Use only the battery pack specified in the instructions. Any changes or modifications not expressly approved by the party responsible for compliance could void the user's authority to operate this equipment.

This device complies with part 15 of the FCC Rules. Operation is subject to the following two conditions: (1) This device may not cause harmful interference, and (2) this device must accept any interference received, including interference that may cause undesired operation.

This Class B digital apparatus complies with Canadian ICES-003.

X. HARMONIZED STANDARDS

MAIN UNIT

Conforms to UL Std.60745-1 & 60745-2-2

Certified to CSA Std.C22.2 No. 60745-1 & 60745-2-2

BATTERY CHARGER

Conforms to UL Std.1310

Certified to CSA Std.C22.2 No. 223-M91



Cet outil, en tant qu'unité complète avec sa batterie autonome, répond aux Degrés de Protection IP appropriés selon les normes IEC.

Définitions des codes IP

IP5X: L'entrée de poussière n'est pas complètement empêchée mais la poussière ne doit pas pénétrer au point de perturber le fonctionnement satisfaisant de l'outil ou d'en affecter la sécurité (Au cas où de la poudre de talc de moins de 75 µm s'introduirait à l'intérieur de l'outil).

IPX6: L'eau projetée en jets puissants contre l'outil de n'importe quelle direction ne doit pas avoir d'effets nuisibles (Au cas où approximativement 100 L/min d'eau à température normale est projetée sur l'outil à 3 mètre de distance pendant 3 minutes avec une lance de 12,5 mm de diamètre intérieur).

GARANTIE LIMITÉE

Le code IP56 rend possible un impact minimum d'eau et de poussière sur cet outil mais il n'en garantit pas les performances dans de telles conditions. Veuillez lire la notice d'utilisation et de sécurité pour plus de détails quant à un fonctionnement approprié.

I. CONSIGNES DE SECURITE GENERALES

⚠ AVERTISSEMENT! Veuillez lire toutes les instructions.

Si les instructions détaillées ci-dessous ne sont pas observées, cela peut entraîner une électrocution, un incendie et/ou des blessures graves. Le terme "outil mécanique" utilisé dans tous les avertissements ci-dessous se réfère aux outils mécaniques opérés par cordons d'alimentation et par batterie (sans fil).

CONSERVEZ CES INSTRUCTIONS

Sécurité de la zone de travail

- 1) **Gardez la zone de travail propre et bien aérée.**
Les endroits encombrés et sombres invitent les accidents.

- 2) **Ne faites pas fonctionner les outils mécaniques dans des atmosphères explosives, comme en présence de liquides inflammables, de gaz ou de poussière.**

Les outils mécaniques génèrent des étincelles qui peuvent enflammer la poussière ou les vapeurs.

- 3) **Gardez les enfants et les spectateurs éloignés lors du fonctionnement d'un outil mécanique.**

Les distractions peuvent en faire perdre le contrôle.

Sécurité électrique

- 1) **La fiche des outils mécaniques doit correspondre aux prises secteur. Ne modifiez la fiche sous aucun prétexte. N'utilisez pas de fiche adaptatrice avec les outils mécaniques mis à la terre.**

Des fiches non modifiées et des prises secteur correspondant réduisent les risques d'électrocution.

- 2) **Evitez tout contact physique avec les surfaces mises à la terre telles que tuyaux, radiateurs, micro-ondes et réfrigérateurs.**

Il y a un risque d'électrocution supplémentaire si votre corps est mis à la terre.

- 3) **N'exposez pas les outils mécaniques à la pluie ou à des conditions humides.**

De l'eau pénétrant dans un outil mécanique augmente le risque d'électrocution.

- 4) **Ne malmenez pas le cordon. N'utilisez jamais le cordon pour transporter, pour tirer ou pour débrancher l'outil mécanique. Gardez le cordon éloigné de la chaleur, de l'huile, d'objets aux bords coupants ou de pièces en mouvement.**

Les cordons endommagés ou emmêlés augmentent le risque d'électrocution.

- 5) **Lors du fonctionnement des outils mécaniques à l'extérieur, utilisez une rallonge adaptée à l'utilisation à l'extérieur.**

L'utilisation d'un cordon adapté à l'utilisation à l'extérieur réduit les risques d'électrocution.

- 6) **Si vous ne pouvez pas éviter d'utiliser l'outil mécanique dans un lieu humide, employez une alimentation protégée par un dispositif résidentiel résiduel (DRR).**
L'utilisation d'un DRR réduit le risque d'électrocution.
- 6) **Habillez-vous correctement. Ne portez pas de vêtements lâches ou de bijoux. Gardez vos cheveux, vêtements et gants éloignés des pièces en mouvement.**
Des vêtements lâches, des bijoux ou des cheveux longs peuvent se faire prendre dans les pièces en mouvement.

Sécurité personnelle

- 1) **Restez alerte, regardez ce que vous faites et faites preuve de bon sens lorsque vous utilisez un outil mécanique. N'utilisez pas un outil mécanique alors que vous êtes fatigué ou sous les effets de drogue, d'alcool ou de médicaments.**
Un moment d'inattention pendant que vous faites fonctionner l'outil mécanique peut entraîner des blessures graves.
- 2) **Utilisez des équipements de sécurité. Portez toujours des protection pour vos yeux.**
Des équipements de sécurité comme masque antipoussière, chaussures de sécurité non glissantes, casque de protection ou protections d'oreilles, utilisés dans des conditions appropriées réduisent les blessures corporelles.
- 3) **Évitez tout démarrage accidentel. Assurez-vous que l'interrupteur est en position d'arrêt avant de brancher l'outil.**
Le transport d'outils mécaniques avec le doigt sur l'interrupteur ou le branchement d'outils mécaniques dont l'interrupteur est sur la position de marche invite les accidents.
- 4) **Retirez toute clé d'ajustement ou clé de serrage avant de mettre l'outil mécanique en marche.**
Une clé de serrage ou une clé d'ajustement laissée attachée à une pièce tournante de l'outil mécanique peut entraîner des blessures corporelles.
- 5) **Ne vous mettez pas en déséquilibre. Gardez une bonne prise au sol et votre équilibre à tout moment.**
Ceci permet un meilleur contrôle de l'outil mécanique dans des situations inattendues.

- 7) **Si des dispositifs pour la connexion d'appareils d'extraction et de ramassage de la poussière sont fournis, assurez-vous qu'ils sont connectés et correctement utilisés.**
L'utilisation de ces dispositifs peut réduire les risques concernés.

Utilisation et soins de l'outil mécanique

- 1) **Ne forcez pas l'outil mécanique. Utilisez l'outil mécanique correct pour votre application.**
L'outil mécanique correct exécute mieux le travail dans de meilleures conditions de sécurité s'il est utilisé à l'allure pour laquelle il a été conçu.
- 2) **N'utilisez pas l'outil mécanique si l'interrupteur ne le met pas en marche ou ne l'arrête pas.**
Tout outil mécanique qui ne peut pas être contrôlé par son interrupteur est dangereux et doit être réparé.
- 3) **Débranchez la fiche de la source d'alimentation et/ou du bloc de batterie avant d'effectuer tout ajustement, de changer d'accessoire ou de ranger l'outil mécanique.**
De telles mesures de sécurité préventives réduisent les risques de faire démarrer l'outil mécanique accidentellement.
- 4) **Rangez les outils mécaniques inutilisés hors de la portée des enfants et ne laissez personne qui n'est pas familiarisé avec l'outil mécanique ou ses instructions faire fonctionner l'outil mécanique.**
Les outils mécaniques sont dangereux dans les mains des utilisateurs manquant d'entraînement.

- 5) **Entretenez bien les outils mécaniques. Vérifiez l'alignement ou l'emboîtement des pièces en mouvement, l'intégrité des pièces et toute autre condition pouvant affecter le fonctionnement de l'outil mécanique. S'il est endommagé, faites réparer l'outil mécanique avant de l'utiliser.**

De nombreux accidents sont provoqués par des outils mécaniques mal entretenus.

- 6) **Maintenez les outils de coupe affûtés et propres.**

Les outils de coupe bien entretenus avec des lames bien affûtées ont moins de chances de gripper et sont plus faciles à contrôler.

- 7) **Utilisez l'outil mécanique, les accessoires, les mèches, etc., conformément à ces instructions et de la façon pour laquelle l'outil particulier a été conçu en tenant compte des conditions de travail et de la tâche à exécuter.**

L'utilisation de l'outil mécanique à des fins autres que celles pour lesquelles il a été conçu peut présenter une situation à risque.

- 8) **Tenez l'outil par les surfaces de prise isolées lorsque vous effectuez une opération lors de laquelle l'outil de coupe risque d'entrer en contact avec des câblages cachés.**

Le contact avec un fil sous tension fera passer le courant dans les pièces métalliques exposées et électrocutera l'opérateur.

Utilisation et soins de la batterie de l'outil

- 1) **Assurez-vous que l'interrupteur est dans la position d'arrêt avant d'insérer le bloc de batterie.**

L'insertion du bloc de batterie dans un outil mécanique dont l'interrupteur est sur la position de marche peut provoquer des accidents.

- 2) **N'effectuez la recharge qu'avec le chargeur spécifié par le fabricant.**

Un chargeur convenant à un bloc de batterie peut entraîner un risque d'incendie lorsqu'un autre bloc de batterie est utilisé.

- 3) **N'utilisez les outils mécaniques qu'avec le bloc de batterie spécialement conçus pour eux.**

L'utilisation de tout autre bloc de batterie peut entraîner un risque de blessure et d'incendie.

- 4) **Lorsqu'un bloc de batterie n'est pas utilisé, gardez-le éloigné d'objets métalliques comme agrafes, pièces de monnaie, clés, clous, vis ou tout autre petit objet métallique pouvant établir une connexion entre les deux bornes.**

Si les bornes de la batterie sont mises en court-circuit, cela peut entraîner des brûlures ou un incendie.

- 5) **Si elle est malmenée, du liquide peut s'échapper de la batterie. Evitez tout contact. Si un contact accidentel se produit, rincez à l'eau. Si du liquide entre en contact avec les yeux, consultez un médecin.**

Le liquide éjecté de la batterie peut entraîner des irritations ou des brûlures.

Réparation


- 1) **Faites réparer votre outil mécanique par du personnel de réparation qualifié en n'utilisant que des pièces de rechange identiques.**

Ceci assure le maintien de la sécurité de l'outil mécanique.

II. REGLES DE SECURITE PARTICULIERES

- 1) Portez une protection auriculaire. L'exposition prolongée à du bruit de haute densité peut entraîner la perte de l'ouïe.
- 2) N'oubliez pas que cet appareil est toujours prêt à fonctionner, parce qu'il ne doit pas être branché dans une prise électrique.
- 3) Si la mèche est coincée, mettez immédiatement le commutateur de la gâchette hors tension afin de prévenir une surcharge pouvant endommager la batterie autonome ou le moteur. Dégagez la mèche en inversant le sens de rotation.

- 4) NE manœuvrez PAS le levier d'inversion marche avant - marche arrière lorsque le commutateur principal est sur la position de marche. La batterie se déchargerait rapidement et la perceuse serait endommagée.
- 5) Lorsque vous rangez ou transportez l'outil, mettez le levier d'inversion marche avant - marche arrière sur la position centrale (verrouillage du commutateur).
- 6) Ne forcez pas l'outil en maintenant la gâchette de contrôle de vitesse enfoncée à moitié (mode de contrôle de la vitesse) de sorte que le moteur s'arrête. Le circuit de protection s'activera et pourra empêcher le contrôle de la vitesse. Dans ce cas, relâchez la gâchette de contrôle de la vitesse, puis serrez-la à nouveau pour le fonctionnement normal.
- 7) Évitez la pénétration de poussière dans le mandrin.
- 8) Ne touchez pas les pièces rotatives pour éviter toute blessure.
- 9) N'utilisez pas l'outil continuellement pendant une longue période. Arrêtez d'utiliser l'outil de temps en temps pour éviter une augmentation de la température et de surchauffer le moteur.
- 10) Ne laissez pas tomber l'outil.

Symbole	Signification
V	Volts
===	Courant continu
n_0	Vitesse sans charge
$\dots \text{ min}^{-1}$	Révolutions ou alternances par minute
Ah	Capacité électrique de la batterie autonome
	Pour réduire le risque de blessure, l'utilisateur doit lire et comprendre le mode d'emploi.

AVERTISSEMENT:

La poussière résultant de ponçage, sciage, meulage, perçage à haute pression et de toute autre activité de construction, contient des produits chimiques réputés être cause de cancer, de malformations congénitales ou autres problèmes reproductifs. Ces produits chimiques sont, par exemple :

- Le plomb contenu dans les peintures à base de plomb
- La silice cristalline, contenue dans les briques, le ciment et autres produits de maçonnerie; et
- L'arsenic et le chrome provenant du bois traité chimiquement.

Pour réduire l'exposition à ces produits chimiques, il faut travailler dans un lieu bien aéré et porter un équipement de sécurité approprié tel que des masques anti-poussière conçus spécialement pour filtrer les particules microscopiques.

III. CHARGEUR DE BATTERIE ET BATTERIE AUTONOME

Instructions de sécurité importantes

- 1) **CONSERVEZ CES INSTRUCTIONS**— La présente notice contient des instructions de sécurité et d'utilisation importantes pour le chargeur de batterie.
- 2) Avant d'utiliser le chargeur de batterie, lisez toutes les instructions et les marques d'avertissement figurant sur le chargeur de batterie, la batterie autonome et l'appareil qui utilise la batterie autonome.
- 3) **MISE EN GARDE**—Pour réduire le risque de blessures, chargez la batterie autonome Panasonic seulement comme indiqué à la dernière page. Les autres types de batteries risquent d'exploser et de causer des blessures corporelles et des dommages matériels.
- 4) N'exposez pas le chargeur et la batterie autonome à la pluie ou à la neige.

- 5) Pour réduire le risque de détérioration de la fiche et du cordon secteur, débranchez le chargeur en tirant sur la fiche et non sur le cordon.
- 6) Veillez à acheminer le cordon de façon que personne ne risque de le piétiner, de trébucher dessus, d'endommager ou d'étirer le cordon.
- 7) N'utilisez une rallonge qu'en cas de nécessité absolue.
L'utilisation d'une rallonge inadéquate peut entraîner un incendie ou une électrocution. S'il faut absolument utiliser une rallonge, veillez à respecter les points suivants :
- Le nombre, la taille et la forme des broches de la fiche de la rallonge doivent être identiques à ceux de la fiche du chargeur de batterie.
 - La rallonge doit avoir des conducteurs en bon état et être elle-même en bon état d'utilisation.
 - La taille des conducteurs doit être suffisante pour les normes d'intensité en ampères du chargeur, comme indiqué ci-dessous.
- 8) N'utilisez pas un chargeur dont la fiche ou le cordon est endommagé – remplacez-les immédiatement.
- 9) N'utilisez pas le chargeur s'il a reçu un choc violent, s'il a subi une chute ou s'il a été endommagé de quelque manière que ce soit; confiez-le à un réparateur qualifié.
- 10) Ne démontez pas le chargeur; si des travaux d'entretien ou de réparation sont nécessaires, confiez-le à un réparateur qualifié. Si vous le remontez incorrectement, vous risquez de causer une électrocution ou un incendie.
- 11) Pour réduire le risque d'électrocution, débranchez le chargeur de la prise de courant avant d'entreprendre des travaux d'entretien ou de nettoyage.
- 12) Le chargeur et la batterie autonome ont été conçus spécifiquement pour fonctionner ensemble.
Ne tentez pas de charger un autre outil à batterie ou une autre batterie autonome avec ce chargeur.
- 13) Ne tentez pas de charger la batterie autonome avec un autre chargeur.
- 14) Ne tentez pas de démonter le logement de la batterie autonome.
- 15) Ne rangez pas l'outil ou la batterie autonome dans des endroits où la température est susceptible d'atteindre ou de dépasser 50°C (122°F) (par exemple dans une remise d'outils électriques, ou dans une voiture en été), car cela risquerait d'abîmer la batterie rangée.
- 16) Ne chargez pas la batterie autonome lorsque la température est INFÉRIEURE À 0°C (32°F) ou SUPÉRIEURE à 40°C (104°F). Cela est très important pour maintenir la batterie autonome dans un état optimal.
- 17) N'incinerez pas la batterie autonome. Elle risquerait d'exploser dans les flammes.
- 18) Evitez toute utilisation dans un environnement dangereux. N'utilisez pas le chargeur à un endroit humide ou mouillé.
- 19) Le chargeur a été conçu pour fonctionner uniquement sur des prises secteur domestiques standard. Ne l'utilisez pas sous des tensions différentes!
- 20) Ne manipulez pas brutalement le cordon secteur. Ne transportez jamais le chargeur en le tenant par le cordon, ou ne le tirez pas brutalement pour le débrancher de la prise. Gardez le cordon à l'abri de la chaleur, de l'huile et de bords coupants.
- 21) Chargez la batterie autonome à un endroit bien ventilé; ne couvrez pas le chargeur et la batterie autonome avec un chiffon, etc., pendant la charge.
- 22) L'utilisation d'un accessoire non recommandé peut entraîner un incendie, une électrocution ou des blessures aux personnes.

TAILLE AWG MINIMUM RECOMMANDÉE DES RALLONGES POUR CHARGEURS DE BATTERIES

Norme d'entrée CA	Ampères	Taille AWG du cordon			
Egal ou supérieur à	Mais inférieur à	Longueur du cordon, pieds			
		25	50	100	150
0	2	18	18	18	16

- 23) Ne court-circuitez pas la batterie autonome. Un court-circuit de la batterie peut être à l'origine d'un flux de courant de forte intensité et d'une surchauffe, ce qui peut entraîner un incendie ou des blessures.
- 24) REMARQUE: Si le cordon secteur de cet appareil est endommagé, il doit être remplacé exclusivement dans un atelier désigné par le fabricant, car ces travaux exigent l'utilisation d'outils spéciaux.
- 25) POUR RÉDUIRE LES RISQUES D'ÉLECTROCUTION, CET APPAREIL EST ÉQUIPÉ D'UNE FICHE POLARISÉE (UNE LAME EST PLUS LARGE QUE L'AUTRE).
- Cette fiche ne pourra être insérée que d'une seule façon dans une prise polarisée. Si la fiche ne peut pas être insérée à fond dans la prise, insérez la fiche sens dessus dessous. Si vous ne parvenez toujours pas à insérer la fiche, adressez-vous à un électricien qualifié pour installer une prise de courant adéquate. Ne modifiez la fiche en aucune façon.

⚠ AVERTISSEMENT:

- N'utilisez que la batterie autonome Panasonic conçue pour l'utilisation avec cet outil rechargeable.
- Panasonic décline toute responsabilité en cas de dommage ou d'accident causé par l'utilisation d'une batterie autonome recyclée ou de contrefaçon.
- Ne mettez pas la batterie autonome au rebut dans un feu ou ne l'exposez pas à une chaleur excessive.
- Ne laissez pas d'objets métalliques entrer en contact avec les bornes de la batterie autonome.
- Ne transportez pas ou ne rangez pas la batterie autonome dans un récipient contenant des clous ou tout autre objet métallique.
- Ne chargez pas la batterie autonome dans un endroit où la température est élevée comme à proximité d'un feu ou à la lumière directe du soleil. Sinon la batterie peut surchauffer, prendre feu ou exploser.
- Après avoir retiré la batterie autonome de l'outil ou du chargeur, remettez toujours le couvercle de la batterie autonome en place. Sinon, les contacts de la batterie peuvent se mettre en court-circuit, entraînant le risque d'un incendie.
- Si la batterie autonome s'est détériorée, la remplacer par une batterie neuve. L'utilisation prolongée d'une batterie autonome endommagée peut provoquer des dégagements de chaleur, un départ de feu ou l'explosion de la batterie.
- Pour éviter tout risque de fuite, surchauffe, génération de fumée, incendie et explosion, suivez ces instructions lorsque vous manipulez nos outils rechargeables (corps principal de l'outil/batterie autonome/chargeur).
 - Ne laissez pas les coupes de matériaux ou la poussière se déposer sur la batterie autonome.
 - Lorsque vous rangez l'outil, éliminez les coupes de matériaux et la poussière éventuellement présentes sur la batterie autonome, et éloignez celle-ci des objets métalliques (vis, clous, etc.) lorsque vous la rangez dans le coffret de l'outil.
- Ne manipulez pas les outils rechargeables comme indiqué ci-dessous.
(Il existe un risque de production de fumée, d'incendie et d'explosion)
 - En les utilisant ou en les rangeant dans des lieux exposés à la pluie ou à l'humidité
 - En les utilisant plongés dans l'eau

IV. MONTAGE

REMARQUE:

Lors de l'installation ou de l'enlèvement d'une mèche, débranchez la batterie autonome de l'outil ou placez le commutateur sur la position centrale (verrouillage du commutateur).

Fixation ou retrait d'une mèche

1. Maintenez le collier du mandrin de connexion rapide et retirez-le de la perceuse.
2. Insérez la mèche dans le mandrin. Relâchez le collier.
3. Le collier reviendra dans sa position d'origine lorsqu'il sera relâché.
4. Tirez sur la mèche pour vérifier qu'elle ne ressort pas.
5. Pour retirer la mèche, tirez le collier vers l'extérieur de la même manière.

MISE EN GARDE:

Si le collier ne revient pas dans sa position d'origine ou si la mèche ressort lorsque vous tirez dessus, cela signifie que la mèche n'a pas été fixée correctement. Assurez-vous que la mèche est bien fixée avant toute utilisation.

Utilisez des mèches hexagonales de 6,35 mm. Pour assurer une fixation correcte des mèches, n'utilisez que des mèches hexagonales avec une détente de 9,5 mm. [Fig.1]

Fixation ou retrait de la douille [Fig.2]

1. Fixation de la douille
Fixez la douille en alignant le trou avec la détente à bille sur l'entraînement carré. Assurez-vous que que la douille est bien raccordée au corps.
2. Pour retirer la douille
Tirez la douille vers l'extérieur.

REMARQUE:

Maintenez le corps au-dessus du point de congélation (0°C, 32°F) lors de la fixation ou du retrait à/de l'entraînement carré du corps. Le coussinet en caoutchouc de l'entraînement carré destiné à repousser la boule peut se durcir au point de congélation. Cela exige plus de force pour fixer et retirer les douilles.

Fixation ou retrait de la batterie autonome

1. Pour connecter la batterie autonome : [Fig.3 ➡]
Alignez les marques d'alignement mises en valeur et fixez la batterie autonome. Faites glisser la batterie autonome jusqu'à ce qu'elle se verrouille en position.
2. Pour retirer la batterie autonome: [Fig.3 ⇨>]
Appuyez sur le bouton et faites glisser la batterie autonome vers l'avant.

V. FONCTIONNEMENT

⚠ AVERTISSEMENT!

- Ne respirez pas la fumée dégagée par l'outil ou la batterie, car elle pourrait être nocive.

[Corps principal]

MISE EN GARDE

- Lorsque vous rangez ou transportez l'outil, mettez le levier d'inversion marche avant-marche arrière sur la position centrale (verrouillage du commutateur).

REMARQUE:

Veillez à ce qu'aucun objet n'entre en contact avec le commutateur de la gâchette de l'outil. Si un objet entre en contact avec le commutateur de la gâchette de l'outil, même lorsque le levier d'inversion marche avant-marche arrière est en position centrale (verrouillé), une petite quantité de courant électrique peut encore continuer à passer, ce qui peut entraîner une décharge excessive de la batterie autonome et une panne de celle-ci.

Utilisation du commutateur et du levier d'inversion marche avant-marche arrière [Fig.4]

1. Poussez le levier pour obtenir une rotation en sens normal ou inverse. Vérifiez le sens du levier avant utilisation.
2. Appuyez légèrement sur la gâchette pour que l'outil commence à tourner lentement.
3. Une pression de la gâchette augmente la vitesse. L'outil arrête de fonctionner dès que vous relâchez la gâchette.

4. Lorsque vous avez terminé un travail, verrouillez le commutateur en mettant le levier en position centrale.

REMARQUE:

Plus vous appuyez sur la gâchette de contrôle de vitesse, plus la vitesse est grande.

MISE EN GARDE:

Lorsque vous faites fonctionner l'outil en appuyant sur la gâchette, il peut y avoir un décalage momentané avant le début de la rotation. Cela ne signifie pas qu'il y a un dysfonctionnement.

* Ce décalage se produit alors que les circuits de l'outil sont activés quand on appuie sur la gâchette pour la première fois après l'installation d'un bloc batterie ou après que l'outil n'a pas été utilisé pendant au moins 1 minute (ou pendant au moins 5 minutes si le LED est en marche). La rotation démarrera sans décalage lors du second fonctionnement et des suivants.

Changement du côté d'installation du crochet de ceinture [Fig.5]

Le crochet de ceinture peut être fixé sur les deux côtés de l'appareil.

1. Retrait du crochet
 - (1) Retirez la vis.
 - (2) Sortez le crochet.
2. Fixation du crochet sur l'autre côté
 - (1) Insérez le crochet de l'autre côté.
 - (2) Serrez complètement la vis pour qu'elle reste fermement en place.

Sélection du mode de puissance de percussion




La perceuse est pré-réglée sur le réglage de mode de percussion "Dur" à l'expédition de chez le fabricant.

[EY75A7]

- Sélection de la puissance de percussion parmi 4 modes (Dur, Vis auto perçante, Doux, Moyen).
- Appuyez sur le bouton de mode de percussion pour le régler. Le mode passe alternativement à Dur, Vis auto perçante, Doux ou Moyen à chaque pression sur le bouton.

[EY75A8]

- Sélection de la puissance de percussion parmi 3 modes (Dur, Doux, Moyen). Appuyez sur le bouton de mode de percussion pour le régler. Le mode passe alternativement à Dur, Doux ou Moyen à chaque pression sur le bouton.

<p>Dur</p>  <p>EY75A7: 0 – 2500 t/mn et 0 – 3100 p/mn</p> <p>EY75A8: 0 – 2500 t/mn et 0 – 3600 p/mn</p>	<ul style="list-style-type: none"> • Travaux nécessitant un couple de serrage élevé lorsqu'il n'existe aucun risque de cassure de vis ou d'éclatement de la tête de vis. <ul style="list-style-type: none"> * Serrage de boulons de plus grande taille (M8 ou plus) * Serrage de longues vis à bois
<p>Moyen</p>  <p>EY75A7: 0 – 1450 t/mn et 0 – 2900 p/mn</p> <p>EY75A8: 0 – 1500 t/mn et 0 – 2900 p/mn</p>	<ul style="list-style-type: none"> • Travaux nécessitant un couple de serrage moyen, lorsqu'il existe un risque réduit de cassure de vis, d'éclatement de la tête de vis ou de cassure de pièce. <ul style="list-style-type: none"> * Serrage de boulons de plus petit diamètre (par exemple M6)
<p>Doux</p>  <p>EY75A7: 0 – 950 t/mn et 0 – 1900 p/mn</p> <p>EY75A8: 0 – 1000 t/mn et 0 – 1900 p/mn</p>	<ul style="list-style-type: none"> • Travaux nécessitant un couple de serrage limité, qui élimine le risque de cassure de vis, d'éclatement de la tête de vis ou de cassure de pièce. • Travaux nécessitant de réduire au minimum le risque de détériorer la surface externe finie. <ul style="list-style-type: none"> * Serrage de boulons de plus petit diamètre (M6 ou moins) * Serrage dans le plastique * Installation de placoplâtre

* p/mn.: percussions par minute

Uniquement pour le modèle EY75A7

Vis auto perçante



0 – 2500 t/mn
et
0 – 1200 p/mn

- Travaux nécessitant une finition plane des vis auto perçante.
(dia. 4 mm × 15 mm ou moins)
(Le mode automatique change en commençant par le mode Dur pour atteindre des t/mn plus lents avant la finition plane)

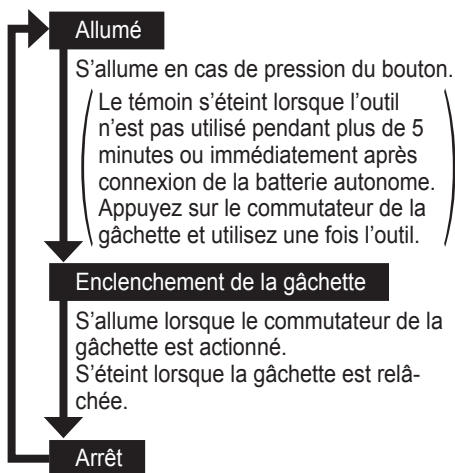
* p/mn.: percussions par minute

Évitez d'enfoncer à plusieurs reprises le commutateur lorsque les boulons et les vis sont solidement attachés. Vous risqueriez autrement de retarder le démarrage de la rotation ou de provoquer le clignotement de l'affichage du mode de puissance de percussion et d'empêcher par là le démarrage de la rotation par mesure de protection du circuit.

FR

Lumière DEL

Appuyez sur le bouton d'éclairage et réglez la condition d'éclairage.



La lumière s'allume avec un courant de très faible intensité et elle n'affecte pas négativement les performances ou la capacité de la batterie.

MISE EN GARDE:

- La lumière DEL incorporée est conçue pour éclairer temporairement la petite zone de travail.
- Ne l'utilisez pas comme remplacement d'une torche normale, elle n'est pas assez lumineuse.

MISE EN GARDE: NE REGARDEZ PAS DIRECTEMENT LE FAISCEAU.

L'utilisation de commandes ou de réglages ou l'exécution de procédures autres que ceux spécifiés dans ce manuel peut entraîner l'exposition à de dangereuses radiations.

Avertissement de surchauffe



Arrêt
(fonctionnement normal)

Allumé:
Surchauffe
(moteur)

Clignotant:
Surchauffe
(batterie)

Indique que le fonctionnement a été arrêté à la suite d'une surchauffe du moteur ou de la batterie.

Pour protéger le moteur ou la batterie, veillez à bien noter les points suivants lorsque vous effectuez cette opération.

- Si le moteur ou la batterie deviennent chauds, la fonction de protection sera activée et le moteur ou la batterie cesseront de fonctionner.
Le témoin d'avertissement de surchauffe s'allume ou clignote sur le panneau de commande lorsque cette caractéristique est active.
- Si la caractéristique de protection contre la surchauffe s'active, laissez l'outil se refroidir complètement (au moins 30 minutes). L'outil est prêt à être utilisé lorsque le témoin d'avertissement de surchauffe s'éteint.
- Évitez d'utiliser l'outil d'une façon qui activerait de façon répétée la caractéristique de protection contre la surchauffe.

- Si l'outil est utilisé de façon continue sous haute charge, ou s'il est utilisé dans un environnement chaud (en été par exemple), il est possible que la caractéristique de protection contre la surchauffe s'active fréquemment.
- Si l'outil est utilisé dans un environnement froid (en hiver par exemple), ou s'il est arrêté fréquemment pendant l'utilisation, il est possible que la caractéristique de protection contre la surchauffe ne s'active pas. La performance du EY9L42 se dégrade considérablement à une température égale ou inférieure à 10 °C en raison des conditions de travail et d'autres facteurs.

Indicateur de niveau de la batterie



Appuyez sur le bouton de niveau de la batterie. L'indicateur de niveau de la batterie affiche le niveau de la batterie selon trois niveaux lorsque le bouton est actionné.



Il passe au mode de puissance de percussion lorsque le bouton est relâché.

REMARQUE:

L'indicateur n'affiche pas le niveau de la batterie même lorsque le bouton est actionné dans les cas suivants.

- L'unité principale est hors tension.
 - Immédiatement après avoir connecté la batterie autonome
 - L'unité principale ou le bouton de niveau de la batterie n'est pas actionné pendant env. cinq minutes.
- Appuyez à nouveau sur le bouton de niveau de la batterie après avoir actionné le commutateur de la gâchette.
- Si la température de la batterie est trop élevée, arrêtez d'utiliser l'outil et attendez que la température de la batterie baisse.

Indicateur		Etat de la batterie
	3 témoins allumés	Charge suffisante
	2 témoins allumés	Charge à env. 60 %

Indicateur		Etat de la batterie
	Un témoin allumé	Le niveau de la batterie est faible. Nécessité de charge prochaine
	3 témoins allumés	Vide. Nécessité de charge immédiate

L'indication du niveau de la batterie est indicative.

Elle peut changer en fonction de l'état de la batterie ou de la température ambiante.

Une décharge excessive (totale) des batteries aux ions de lithium réduit leur durée de vie de façon notable. L'outil comprend une caractéristique de protection de la batterie conçue pour empêcher une décharge excessive de la batterie autonome.

[Batterie]

Pour une utilisation correcte de la batterie autonome [Fig.6]

- Les batteries rechargeables ont une longévité limitée.
- Pour une longévité optimale de la batterie, rangez la batterie autonome Li-ion sans la charger après l'avoir utilisée.
- Lors de l'utilisation de la batterie autonome, assurez-vous de la bonne ventilation du lieu de travail.

Pour un usage sans risque

- La batterie est conçue pour être installée en deux étapes pour des raisons de sécurité. Assurez-vous que la batterie est installée correctement dans l'unité principale avant toute utilisation.

- Lorsque la batterie autonome n'est pas connectée fermement à la mise sous tension, le témoin d'avertissement de surchauffe et le témoin d'avertissement de faible batterie clignotent pour indiquer qu'un fonctionnement sans danger n'est pas possible et l'unité principale ne tourne pas normalement. Branchez la batterie autonome dans l'unité de l'outil jusqu'à ce que l'indicateur rouge ou jaune disparaisse.

Recyclage de la batterie autonome

ATTENTION:

La batterie Li-ion que vous vous êtes procurée est recyclable. Pour des renseignements sur le recyclage de la batterie, veuillez composer le 1-800-8-BATTERY.



[Chargeur de batterie]

Recharge

⚠ MISE EN GARDE:

- 1) Si la température de la batterie autonome descend en dessous de -10°C (14°F) environ, la charge s'arrête automatiquement afin de prévenir la dégradation de la batterie.
- 2) Le niveau de température ambiante moyenne se situe entre 0°C (32°F) et 40°C (104°F).
Si la batterie autonome est utilisée alors que sa température est inférieure à 0°C (32°F), l'outil pourrait ne pas fonctionner correctement.
- 3) Utilisez le chargeur à des températures comprises entre 0°C et 40°C , et chargez la batterie à une température identique à celle de la batterie elle-même. (Il ne doit pas y avoir plus de 15°C de différence entre la température de la batterie et celle de l'endroit où vous chargez.)

- 4) Lorsqu'une batterie autonome froide (en dessous de 0°C (32°F)) doit être rechargée dans une pièce chaude, laissez la batterie autonome dans la pièce pendant une heure au moins et rechargez-la quand elle a atteint la température ambiante.
- 5) Laissez refroidir le chargeur quand vous rechargez plus de deux batteries autonomes à la suite.
- 6) Ne mettez pas vos doigts dans les trous des connecteurs lorsque vous prenez les chargeurs ou à n'importe quelle occasion.
- 7) Pour éviter les risques d'incendie ou d'endommagement du chargeur de batterie.
 - Ne bouchez pas les trous d'aération du chargeur et de la batterie autonome.
 - Débranchez le chargeur lorsque vous ne l'utilisez pas.

REMARQUE:

Votre batterie autonome n'est pas complètement chargée au moment de l'achat. Veillez à bien charger complètement la batterie avant son utilisation.

Procédure de recharge

1. Branchez le cordon d'alimentation du chargeur dans une prise secteur.

REMARQUE:

Des étincelles peuvent être produites lorsque la fiche est introduite dans la prise d'alimentation secteur; toutefois, ceci ne pose aucun problème de sécurité.

2. Raccorder fermement la batterie autonome au chargeur.
 - 1 Aligned les marques d'alignement et placez la batterie dans le poste d'accueil sur le chargeur.

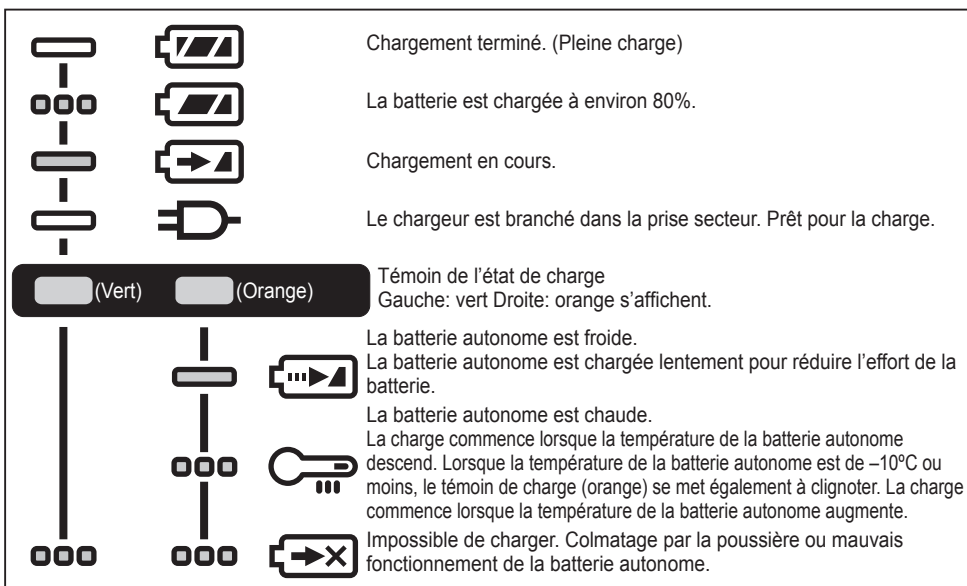
REMARQUE:

Certaines batteries autonomes ne présentent pas de marque d'alignement (Q) (page 2).

- 2 Faites glisser vers l'avant dans le sens de la flèche. [Fig.7 ➡]
3. Pendant la charge, le témoin s'allume. Lorsque la charge est terminée, un interrupteur électronique s'actionne pour protéger la batterie.

- La charge ne peut pas démarrer si la batterie autonome est chaude (par exemple, à la suite d'un long travail de perçage). Le témoin d'attente orange clignote jusqu'à ce que la batterie se soit refroidie. La charge commence alors automatiquement.
4. Le témoin de charge (vert) clignote lentement dès que la batterie est chargée à environ 80%.
 5. Lorsque le chargement est terminé, le témoin de charge de couleur verte s'éteint.
 6. Lorsque la température de la batterie autonome est de 0°C ou moins, la batterie autonome prend plus longtemps à charger que la durée standard. Même lorsque la batterie est complètement chargée, elle n'aura qu'environ 50% de la puissance d'une batterie complètement chargée à une température de fonctionnement normale.
 7. Consultez un distributeur agréé si le témoin de charge (vert) ne s'éteint pas.
 8. Si une batterie complètement chargée est à nouveau insérée dans le chargeur, le témoin de charge s'allume. Après quelques minutes, le témoin de charge de couleur verte s'éteindra.
 9. Retirez la batterie autonome lorsque le bouton de libération de batterie autonome est en position haute. [Fig.7 ⇨]

INDICATION DU VOYANT



Éteint

Allumé

Clignotant

VI. ENTRETIEN

- Nettoyez l'appareil au moyen d'un chiffon sec et propre.
N'utilisez ni eau, ni solvant, ni produit de nettoyage volatil.
- Au cas où l'intérieur de l'outil ou du bloc batterie serait exposé à de l'eau, enlevez l'eau et laissez sécher dès que possible. Enlevez soigneusement toutes saletés ou limailles de fer qui s'accumulent à l'intérieur de l'outil. Si vous rencontrez des problèmes lors de l'utilisation de l'outil, prenez contact avec votre centre de service agréé le plus proche.

VII. ACCESSOIRES OPTIONNELS

Utilisez uniquement une taille de meche adaptée.

VIII. APPENDICE

CAPACITES MAXIMUM RECOMMANDEES

N° du modèle		EY75A7	EY75A8
Vissage de vis	Vis à bois	Φ 3,5 mm – Φ 9,5 mm (1/8" – 3/8")	—
	Vis auto perçante	Φ 3,5 mm – Φ 6 mm (1/8" – 1/4")	
Serrage de boulons	Boulon standard	M6 – M16 (1/4" – 5/8")	M10 – M20 (13/32" – 25/30")
	Boulon à traction élevée	M6 – M12 (1/4" – 15/32")	M10 – M16 (13/32" – 5/8")

FR

COMPLÉMENT DE GARANTIE

- Les pannes et dégradations dues à une utilisation intense prolongée (par ex : usinage sur ligne d'assemblage etc.) ne sont pas couvertes par la garantie.
- Au cas où l'intérieur de l'outil ou du bloc batterie serait exposé à de l'eau, enlevez l'eau et laissez sécher dès que possible. Enlevez soigneusement toutes saletés ou limailles de fer qui s'accumulent à l'intérieur de l'outil. Si vous rencontrez des problèmes lors de l'utilisation de l'outil, prenez contact avec votre centre de service agréé le plus proche.

IX. CARACTERISTIQUES TECHNIQUES

REMARQUE: Indication de poids

Égal à ou plus d'1 kg:

indiqué par 0,05 kg. (0,11 lbs).

Moins d'1 kg:

Indiqué par 0,01 kg. (0,02 lbs).

UNITE PRINCIPALE

N° du modèle		EY75A7		EY75A8	
Tension du moteur		14,4 V DC	18 V DC	14,4 V DC	18 V DC
Vitesse sans charge	Mode Doux	0 – 950		0 – 1000	
	Mode Moyen	0 – 1450		0 – 1500	
	Mode Dur	0 – 2500		0 – 2300	0 – 2500
[min ⁻¹ (t/mn)]	Mode vis auto perçante	0 – 2500		—	
Couple maximum		155 N•m (15,8 kgf•m, 1370 in•lbs)	160 N•m (16,3 kgf•m, 1420 in•lbs)	260 N•m (26,5kgf•m, 2300 in•lbs)	280 N•m (28,6 kgf•m, 2480 in•lbs)
Percussions par minute	Mode Doux	0 – 1900			
	Mode Moyen	0 – 2900			
	Mode Dur	0 – 3100		0 – 3400	0 – 3600
[min ⁻¹ (p/mn)]	Mode vis auto perçante	0 – 1200		—	
Longueur totale		118 mm (4-21/32")		143 mm (5-5/8")	
Poids Avec batterie autonome:	EY9L45	1,55 kg (3,4 lbs)	—	1,65 kg (3,4 lbs)	—
	EY9L51	—	1,70 kg (3,7 lbs)	—	1,80 kg (4,0 lbs)
	EY9L53	—	1,50 kg (3,3 lbs)	—	1,60kg (3,5 lbs)

FR

BATTERIE AUTONOME

N° du modèle	EY9L45	EY9L51	EY9L53
Stockage de la batterie	Batterie Li-ion		
Tension de la batterie	14,4 V DC	18 V DC	

REMARQUE : Ce tableau peut inclure des modèles non disponibles dans votre région.

Veuillez vous reporter au catalogue général le plus récent.

CHARGEUR DE BATTERIE

N° du modèle		EY0L82		
Puissance nominale		Voir la plaque signalétique se trouvant sur le côté inférieur du chargeur.		
Poids		0,93 kg (2 lbs)		
Durée de chargement	N° du modèle	EY9L45	EY9L51	EY9L53
	Plein	60 minutes.	70 minutes	60 minutes

Déclaration sur le brouillage de la Commission Fédérale des Communications

Cet équipement a été testé et déclaré conforme aux limites des appareils numériques de classe B, conformément à la section 15 du règlement de la FCC. Ces limites ont été définies pour fournir une protection raisonnable contre les brouillages préjudiciables dans une installation résidentielle. Cet équipement produit, utilise et peut émettre des énergies de fréquence radio et s'il n'est pas installé conformément aux instructions, il pourra provoquer des brouillages préjudiciables aux communications radio. Il n'y a toutefois aucune garantie que ces brouillages ne se produisent pas lors d'une installation particulière. Si cet équipement provoque des brouillages préjudiciables à la réception de la radio ou de la télévision, ce qui peut être vérifié en mettant en marche puis en arrêtant l'équipement, l'utilisateur est encouragé à éliminer le brouillage selon l'une des mesures suivantes:

- Réorienter ou déplacer l'antenne réceptrice.
- Augmenter l'espacement entre l'équipement et le récepteur.
- Brancher l'équipement à une prise d'un circuit différent de celui auquel le récepteur est branché.
- Consulter un distributeur ou un technicien de radio télévision expérimenté pour obtenir une aide.

Avertissement de la FCC: afin d'assurer la continuité de la conformité, installer et utiliser selon les instructions données. Utiliser seulement les blocs batteries spécifiés dans les instructions. Tout changement ou modification non expressément approuvé par les parties responsables de la conformité pourraient faire perdre à l'utilisateur le droit de faire fonctionner cet équipement.

Cet appareil est conforme au chapitre 15 du règlement de la FCC. Le fonctionnement est soumis aux deux conditions suivantes: (1) cet appareil ne peut pas provoquer de brouillage préjudiciable et (2) cet appareil doit pouvoir accepter n'importe quel brouillage reçu incluant ceux qui pourraient provoquer un fonctionnement non désiré.

Cet appareil numérique de la classe B est conforme à la norme NMB-003 du Canada.

FR

X. AUX NORMES HARMONISÉES

UNITE PRINCIPALE

Conforme aux normes UL Std.60745-1 & 60745-2-2
Certifié CSA Std.C22.2 N° 60745-1 & 60745-2-2

CHARGEUR DE BATTERIE

Conforme à la norme UL Std.1310
Certifié CSA Std.C22.2 No. 223-M91



Esta herramienta, como una unidad completa con un paquete de pilas, satisface los grados de protección IP basados en las normas IEC.

Definición del código IP

IP5X: El ingreso de polvo no está totalmente sellado, pero el polvo no penetrará en cantidades que interfieran con el buen funcionamiento de la herramienta o afecten la seguridad. (Para el caso en que entre talco de polvo en la herramienta, de menos de 75 µm).

IPX6: El agua dispersada en chorros potentes hacia la herramienta desde diferentes direcciones no la dañará. (En caso de usar un aspersor de 12,5 mm de diámetro interior, aproximadamente 100 lts./min. agua a temperatura normal es inyectada hacia la herramienta durante 3 minutos desde 3 metros de distancia).

GARANTÍA LIMITADA

La clasificación IP56 califica esta herramienta para un mínimo impacto del agua o polvo, pero no asegura el rendimiento en dichas condiciones. Vea el Manual de Seguridad e Instrucciones para una mayor información para un funcionamiento apropiado.

I. REGLAS DE SEGURIDAD GENERALES

 **¡ADVERTENCIA! Lea todas las instrucciones.**

Si no cumple con todas las siguientes instrucciones puede recibir una descarga eléctrica, incendio y/o heridas graves. El término "herramienta eléctrica" en todas las advertencias a continuación se refiere a su herramienta eléctrica conectada al tomacorriente (cableado) y a la herramienta eléctrica que funciona con batería (sin cable).

GUARDE ESTAS INSTRUCCIONES

Seguridad del lugar de trabajo

- 1) **Mantenga el lugar de trabajo limpio y bien iluminado.**
Un área desprolija u oscura es una causa de accidentes.

- 2) **No haga funcionar herramientas eléctricas en un ambiente explosivo como en lugares donde hay líquidos inflamables cajas o polvo.**
Las herramientas eléctricas producen chispas que pueden encender el polvo o el vapor.
- 3) **Mantenga a los niños y personal no relacionado lejos mientras haga funcionar la herramienta eléctrica.**
Una distracción puede hacer que pierda el control.

Seguridad eléctrica

- 1) **Los enchufes de herramientas eléctricas deben coincidir con el tomacorriente. Nunca modifique el enchufe. No utilice ningún adaptador de enchufe con herramientas eléctricas con tierra (conexión a tierra).**
Un enchufe no modificado y tomacorrientes que coincidan reducirán el riesgo de descarga eléctrica.
- 2) **Evite el contacto de su cuerpo con una superficie de tierra o conectado a una tierra tales como tubos, radiadores, microondas y refrigeradores.**
Existe un mayor riesgo de descarga eléctrica si su cuerpo queda conectado a una tierra.
- 3) **No exponga herramientas eléctricas a la lluvia o condiciones de humedad.**
El agua que entra en una herramienta eléctrica aumentará el riesgo de descarga eléctrica.
- 4) **No abuse del cable. Nunca utilice el cable para transportar, tirar de o desenchufar la herramienta eléctrica. Mantenga el cable lejos de fuentes de calor, aceite, bordes afilados o piezas móviles.**
Un cable dañado o enredado puede aumentar el riesgo de descarga eléctrica.
- 5) **Cuando haga funcionar una herramienta eléctrica en exteriores, utilice un cable de extensión adecuado para uso en exteriores.**
El uso de un cable adecuado para uso en exteriores reduce el riesgo de descarga eléctrica.

- 6) **Si no hay más remedio que operar una herramienta eléctrica en un lugar húmedo, utilice suministro eléctrico protegido por un interruptor diferencial (ID).**

El uso de un interruptor diferencial reduce el riesgo de descargas eléctricas.

Seguridad personal

- 1) **Manténgase alerta, vigile lo que haga y utilice sentido común cuando haga funcionar la herramienta eléctrica. No utilice una herramienta eléctrica mientras está cansado o bajo la influencia de drogas, alcohol o medicamentos.**
Un descuido instantáneo mientras hace funcionar las herramientas eléctricas puede provocar una herida personal de gravedad.
- 2) **Utilice equipo de seguridad. Utilice siempre gafas protectoras.**
Un equipo de seguridad como máscara antipolvo, zapatos antideslizamiento, casco duro o protección contra los oídos utilizado en condiciones adecuadas reducirá heridas personales.
- 3) **Evite un arranque por accidente. Asegúrese que el interruptor está en la posición de desconexión antes de desenchufar.**
El transporte de las herramientas eléctricas con su dedo en el interruptor o el desenchufado de las herramientas eléctricas que tengan el interruptor conectado puede provocar un accidente.
- 4) **Desmonte cualquier llave de ajuste o llave de cubo antes de conectar la herramienta eléctrica.**
Una llave instalada en una pieza rotatoria de la herramienta eléctrica puede provocar una herida personal.
- 5) **No fuerce su cuerpo. Mantenga sus pies bien apoyados en el piso y su equilibrio en todo momento.**
Esto permite un mejor control de la herramienta eléctrica en situaciones inesperadas.
- 6) **Vístase correctamente. No utilice ropa floja o joyas. Mantenga su cabello, ropa y guantes lejos de piezas móviles.**
Una ropa floja, joyas o cabello largo puede quedar atrapado en piezas móviles.

- 7) **Si se entregan dispositivos para recolección y extracción de polvo, asegúrese que estén conectados y se utilicen bien.**

El uso de estos dispositivos puede reducir los peligros relacionados con el polvo.

Uso y cuidados de herramientas eléctricas

- 1) **No fuerce la herramienta eléctrica. Utilice la herramienta eléctrica correcta según su aplicación.**
Una herramienta eléctrica correcta hará el trabajo mejor y más seguro a la velocidad para la que fue diseñada.
- 2) **No utilice la herramienta eléctrica si el interruptor no se conecta y desconecta.**
Cualquier herramienta eléctrica que no pueda controlarse con el interruptor es peligroso y debe repararse.
- 3) **Desconecte el enchufe del tomacorriente y/o paquete de batería de la herramienta eléctrica antes de hacer un ajuste, cambio de accesorios o guardado de herramientas eléctricas.**
Estas medidas de seguridad preventiva reducen el riesgo de que la herramienta eléctrica arranque por accidente.
- 4) **Guarde las herramientas eléctricas apagadas en un lugar fuera del alcance de los niños y no permita que personas que no saben el uso de la herramienta eléctrica o estas instrucciones hagan funcionar la herramienta eléctrica.**
Las herramientas eléctricas son peligrosas en manos de usuarios no entrenados.
- 5) **Mantenga las herramientas eléctricas. Verifique por mala alineación o atascado de piezas móviles, rotura de piezas y otras condiciones que puedan afectar el funcionamiento de las herramientas eléctricas. Si está dañada, haga reparar la herramienta eléctrica antes de utilizar.**
Muchos accidentes se deben a herramientas eléctricas mal mantenidas.
- 6) **Mantenga las herramientas de corte afiladas y limpias.**
Las herramientas de corte bien mantenidas con bordes de corte afilados tienen menos posibilidades de atascarse y son más fáciles de controlar.

- 7) **Utilice la herramienta eléctrica, accesorios y brocas de herramienta, etc. de acuerdo con estas instrucciones y la forma especificada para el tipo particular de herramienta eléctrica, teniendo en cuenta las condiciones de trabajo y el trabajo a hacer.**

El uso de la herramienta eléctrica para un funcionamiento diferente del especificado puede traducirse en una situación peligrosa.

- 8) **Mantenga la herramienta por las superficies de empuñadura aisladas cuando haga una operación donde la herramienta de corte pueda entrar en contacto con cables ocultos.**

El contacto con un cable “vivo” puede hacer que las piezas de metal expuestas de la herramienta descarguen electricidad al operador.

Uso y cuidado de la herramienta a batería

- 1) **Asegúrese que el interruptor está desconectado antes de insertar el paquete de batería.**

La colocación del paquete de batería en las herramientas eléctricas que tienen el interruptor activado es causa de accidentes.

- 2) **Recargue sólo con el cargador especificado por el fabricante.**

Un cargador que es adecuado para un tipo de paquete de batería puede provocar el riesgo de incendio cuando se utiliza con otro paquete de batería.

- 3) **Utilice herramientas eléctricas sólo con los paquetes de batería especificados.**

El uso de otros paquetes de batería puede provocar el riesgo de heridas e incendio.

- 4) **Cuando no se utilice el paquete de batería, mantenga alejado de otros objetos metálicos como ganchos de papel, monedas, llaves, clavos, tornillos u otros objetos pequeños que puedan crear una conexión de un terminal a otro.**

El cortocircuito de terminales de batería puede provocar quemaduras o un incendio.

- 5) **En condiciones de uso abusivo, el líquido puede salir de la batería; evite el contacto. Si se produce un contacto por accidente, lave con agua. Si el líquido entra en contacto con los ojos, solicite además ayuda médica.**

El líquido que sale de la batería puede provocar irritación o quemaduras.

Servicio


- 1) **Solicite el servicio de la herramienta eléctrica a un técnico cualificado utilizando sólo repuestos idénticos.**

Esto mantendrá la seguridad de la herramienta eléctrica.

II. NORMAS DE SEGURIDAD ESPECÍFICAS

- 1) Utilice protectores auditivos. Una exposición prolongada a ruidos de alta intensidad puede provocar pérdida de audición.
- 2) Recuerde que esta herramienta puede funcionar en cualquier momento ya que no necesita enchufarse al tomacorriente para hacerlo funcionar.
- 3) Si la broca se atasca, desconecte inmediatamente el disparador para evitar una sobrecarga que pudiera dañar la batería o el motor.
Utilice la marcha atrás para aflojar las brocas atasgadas.
- 4) NO haga funcionar la palanca de avance/marcha atrás cuando esté conectado el interruptor principal. La batería se descargará rápidamente y la unidad puede dañarse.
- 5) Cuando guarde o transporte la herramienta, coloque la palanca de avance/marcha atrás en la posición central (bloqueo del interruptor).
- 6) No fuerce la herramienta apretando el gatillo de control de velocidad a la mitad (modo de control de velocidad) para que se pare el motor. El circuito de protección se activará haciendo que deje de funcionar el control de velocidad. Si esto sucediera, suelte el gatillo de control de velocidad y vuelva a apretar nuevamente para que funcione normalmente.

- 7) Utilice la herramienta con cuidado para que no entre polvo por el portabroca.
- 8) No toque las piezas giratorias para evitar herirse.
- 9) No utilice la herramienta continuamente durante un largo período de tiempo. Deje de utilizar la herramienta de vez en cuando para evitar que suba la temperatura y se caliente excesivamente el motor.
- 10) No deje caer la herramienta.

Símbolo	Significado
V	Voltios
— — —	Corriente continua
n_0	Velocidad sin carga
$\dots \text{min}^{-1}$	Revoluciones o reciprocaciones por minuto
Ah	Capacidad eléctrica del bloque de batería
	Para reducir el riesgo de lesiones, el usuario debe leer y entender el manual de instrucciones.

ADVERTENCIA:

Algunos tipos de polvo creados al lijar, serrar, pulir, taladrar y al hacer otras actividades de construcción contienen productos químicos que el Estado de California sabe que producen cáncer, defectos de nacimiento y otros daños en la reproducción. Entre estos productos químicos se encuentran:

- El plomo de pinturas con base de plomo.
- El sílice cristalino de ladrillos, cemento y otros productos de albañilería.
- El arsénico y el cromo de la madera tratada químicamente.

Para reducir la exposición a estos productos químicos: trabaje en un lugar bien ventilado y con el equipo de seguridad aprobado, como por ejemplo máscaras contra el polvo que hayan sido diseñadas especialmente para no dejar pasar las partículas microscópicas.

III. PARA EL CARGADOR DE BATERIA Y LA BATERIA

Instrucciones de seguridad importantes

- 1) **GUARDE ESTAS INSTRUCCIONES**— Este manual contiene instrucciones de seguridad importantes y de funcionamiento para el cargador de batería.
- 2) Antes de utilizar el cargador de batería, lea todas las instrucciones y marcas de precaución en el cargador de batería, la batería y el producto en el que se vaya a utilizar la batería.
- 3) **PRECAUCIÓN**—Para reducir el riesgo de heridas, cargue sólo la batería de Panasonic indicada en la última página. Los otros tipos de baterías pueden explotar provocando heridas personales y daños.
- 4) No exponga el cargador ni la batería a la lluvia o la nieve.
- 5) Para reducir el riesgo de dañar el enchufe y el cable eléctrico, tire del enchufe y no del cable cuando desconecte el cargador.
- 6) Cerciórese que el cable está instalado de tal forma que nadie lo pise o enriede en los pies o esté expuesto a otros daños o tensión.
- 7) No debe utilizar un cable de extensión a menos que sea absolutamente necesario. El uso de un cable de extensión incorrecto puede provocar un riesgo de incendios o descargas eléctricas. Si debe utilizar un cable de extensión, efectúe las siguientes verificaciones:
 - a. las patas en el enchufe del cable de extensión son del mismo número, tamaño y forma que los del enchufe en el cargador.
 - b. el cable de extensión está bien enchufado y en buenas condiciones eléctricas.
 - c. el tamaño del cable es lo suficientemente grande para las especificaciones de amperios del cargador, tal como se especifica a continuación.

TAMAÑO PROMEDIO MINIMO RECOMENDADO PARA LOS CABLES DE EXTENSION DE LOS CARGADORES DE BATERIA					
Espec. entrada de CA	Amperios	Tamaño promedio de cable			
Igual o mayor que	Pero menos de	Longitud de cable Pies			
		25	50	100	150
0	2	18	18	18	16

- 8) No haga funcionar el cargador con un cable o enchufe dañado—cámbielos inmediatamente.
- 9) No haga funcionar el cargador si recibió un golpe fuerte, se cayó o está dañado de alguna otra forma; lleve al personal de servicio calificado.
- 10) No desarme el cargador; llévelo al personal de servicio calificado cuando sea necesario un servicio o reparación. Un rearmado incorrecto puede traducirse en un riesgo de descarga eléctrica o incendio.
- 11) Para reducir el riesgo de descarga eléctrica, desenchufe el cargador del tomacorriente antes de proceder a un mantenimiento o limpieza.
- 12) El cargador de batería y la batería fueron diseñados específicamente para funcionar uno con el otro. No trate de cargar cualquier otra herramienta inalámbrica o la batería con este cargador.
- 13) No trate de cargar la batería con ningún otro cargador.
- 14) No trate de desarmar la caja de la batería.
- 15) No guarde la herramienta y la batería en ambientes donde la temperatura pueda alcanzar o superar los 50°C (122°F) (tales como un galpón de herramientas para metal o un coche en verano), ya que puede deteriorar la batería guardada.
- 16) No cargue la batería cuando la temperatura esté por DEBAJO de 0°C (32°F) o por ENCIMA de 40°C (104°F). Esto es muy importante para mantener la batería en perfectas condiciones.
- 17) No incinere la batería. Puede explotar en el fuego.
- 18) Evite ambientes peligrosos. No utilice el cargador en lugares húmedos o mojados.
- 19) El cargador fue diseñado para funcionar sólo con la corriente eléctrica normal del hogar. ¡No trate de utilizar con otro voltaje!
- 20) No abuse del cable. Nunca transporte el cargador por el cable o tire del cable para desconectarlo del tomacorriente. Mantenga el cable lejos del calor, aceite y bordes agudos.
- 21) Cargue la batería en un lugar con buena circulación de aire, no cubra el cargador de batería y la batería con un paño, etc. durante la carga.
- 22) El uso de un accesorio no recomendado entraña el riesgo de incendio, descarga eléctrica o lesiones personales.
- 23) No cortocircuite la batería. Una batería cortocircuitada puede provocar exceso de corriente, recalentamiento, incendio o lesiones personales.
- 24) NOTA: Si el cable de alimentación de este aparato está dañado, debe cambiarlo solamente en un taller de reparaciones autorizado por el fabricante, porque hacen falta herramientas especiales.
- 25) PARA REDUCIR EL RIESGO DE DESCARGA ELECTRICA, ESTE APARATO TIENE UN ENCHUFE POLARIZADO (UNA PATA ES MAS ANCHA QUE LA OTRA). Este enchufe entrará en el tomacorriente polarizado sólo de una forma. Si el enchufe no entra completamente en el tomacorriente, invierta el enchufe. Si no entra incluso de esta forma, hable con un electricista calificado para que le instale un tomacorriente adecuado. No cambie el enchufe de ninguna forma.

⚠ ADVERTENCIA:

- Solamente use paquetes de baterías Panasonic que están diseñados para uso con esta herramienta recargable.
- Panasonic no se responsabiliza de los daños o accidentes causados por el uso de una batería reciclada o falsificada.
- No elimine el paquete de baterías en el fuego, ni lo exponga al calor excesivo.
- No permita que los objetos metálicos toquen los terminales del paquete de baterías.
- No transporte ni almacene el paquete de baterías en el mismo contenedor que clavos u otros objetos metálicos similares.
- No cargue el paquete de baterías en un lugar a alta temperatura, como por ejemplo cerca de una fuente de fuego o bajo la luz solar directa. De otra manera, la batería podría sobrecalentarse, encenderse o explotar.
- Después de extraer el paquete de baterías de la herramienta o el cargador, siempre reinstale la cubierta del paquete. De otra manera, los contactos de la batería podrían ser cortados, causando el riesgo de fuego.
- Cuando el paquete de pilas se deteriora, reemplácelo con uno nuevo. El uso continuo de un paquete de pilas dañado puede ser causa de la generación de calor, ignición o rotura de batería.
- Para prevenir fugas, recalentamientos, humos, incendios, y reventones, siga estas instrucciones a la hora de manejar sus herramientas eléctricas recargables (cuerpo de la herramienta/batería/cargador).
 - No deje que el polvo o los desechos de los materiales caigan sobre la batería.
 - Antes de guardarla, quite el polvo y los desechos de los materiales de la batería y, si la guarda en la caja de la herramienta, colóquela en un lugar que no esté en contacto con objetos metálicos (tornillos, clavos, etc.).
- No maneje las herramientas eléctricas recargables de la siguiente manera. (Existe el riesgo de que se produzcan humos, incendios y reventones)
 - Usar o dejar en lugares expuestos a la lluvia o la humedad
 - Usar dentro del agua

IV. MONTAJE

NOTA:

Al poner o extraer una broca o cubo, desconecte la batería de la herramienta o coloque el interruptor en la posición central (bloqueo de interruptor).

Colocación o extracción de la broca

1. Sujete el collar del portabrocas de conexión rápida y saque del destornillador.
2. Inserte la broca en el portabrocas. Suelte el collar.
3. El cuello regresará a su posición original cuando se libere.
4. Tire de la broca para que no salga.
5. Para desmontar la broca, tire del collar de la misma forma.

PRECAUCIÓN:

Si el cuello no vuelve a su posición original o la broca sale cuando se tira de ella, quiere decir que no se ha acoplado de modo adecuado. Asegúrese de que la broca está bien acoplada antes de utilizarla.

Utilice brocas hexagonales de 6,35 mm. Para asegurar una fijación correcta de la broca, utilice sólo brocas hexagonales con fijación de 9,5 mm. [Fig.1]

Instalación o desmontaje del cubo [Fig.2]

1. Instalación del cubo
Instale el cubo alineando el orificio con el retén de bola en el eje cuadrado. Asegúrese que el cubo está firmemente conectado al cuerpo.
2. Desmontaje del cubo
Saque el cubo.

NOTA:

Mantenga el cuerpo por encima del punto de congelación (0°C, 32°F) cuando instale o desmonte los cubos en el eje cuadrado en el cuerpo. El caucho amortiguador en el eje cuadrado que empuja hacia arriba la bola puede endurecerse por debajo del punto de congelamiento. Esto hace necesario fuerza adicional para instalar y desmontar los cubos.

Colocación y extracción de la batería

1. Para acoplar la batería: [Fig.3 ➔]
Alinee las marcas de alineación resaltadas y acople el paquete de baterías.
Deslice la batería hasta que se bloquee en su posición.
2. Para extraer la batería: [Fig.3 ⇐>]
Presione el botón y deslice el paquete de baterías hacia delante.

V. FUNCIONAMIENTO

⚠ ¡ADVERTENCIA!

- No respire el humo emitido por la herramienta o el paquete de baterías, ya que podría ser nocivo.

[Cuerpo principal]

PRECAUCIÓN

- Cuando guarde o transporte la herramienta, coloque la palanca de avance/marcha atrás en la posición central (bloqueo del interruptor).

NOTA:

Tenga cuidado de que ningún objeto entre en contacto con el disparador de la herramienta. Si algún objeto entra en contacto con el disparador de la herramienta, incluso mientras la palanca de avance/inversión esté en la posición central (bloqueo), puede que una pequeña cantidad de corriente eléctrica siga fluyendo, lo que puede causar una descarga excesiva de la batería y el subsiguiente fallo de la batería.

Funcionamiento del interruptor y de la palanca de avance/marcha atrás [Fig.4]

1. Empuje la palanca para que se produzca una rotación de avance o inversión.
Compruebe la dirección de la palanca antes del uso.
2. Apriete ligeramente el gatillo del disparador para iniciar la herramienta con lentitud.
3. La velocidad aumenta al presionar el disparador. La herramienta se detiene inmediatamente al soltar el disparador.
4. Cuando haya acabado con la tarea, bloquee el disparador colocando la palanca en la posición central.

NOTA:

Cuanto más se tira del gatillo, mayor es la velocidad.

PRECAUCIÓN:

Cuando se opera la herramienta tirando del disparador, puede que genere un intervalo momentáneamente antes de iniciarse la rotación. Esto no es señal de un malfuncionamiento.

* Este intervalo ocurre cuando se inicia el sistema de circuitos de la herramienta cuando se tira del disparador por primera vez después de instalar un paquete de batería o después de que la herramienta no ha sido usada por al menos 1 minuto (o al menos 5 minutos desde que el LED está encendido). La rotación se iniciará sin ningún intervalo durante segundas y subsiguientes operaciones.

Cambio del lugar de ubicación del gancho de cinturón [Fig.5]

El gancho de cinturón puede acoplarse en cualquier costado de la unidad.

1. Cómo sacar el gancho
 - (1) Extraiga el tornillo.
 - (2) Retire el gancho.
2. Cómo acoplar el gancho al otro lado
 - (1) Inserte el gancho en el otro lado.
 - (2) Apriete completamente el tornillo hasta que quede bien fijado.

Selección de modo de potencia de impacto




El aparato está prefijado en el modo de impacto "Fuerte" cuando sale de fábrica.

[EY75A7]

- Selección de la potencia de impacto entre 4 modos (Fuerte, Tornillo autoperforante, Suave, Medio).
Presione el botón de modo de potencia de impacto para ajustarlo. El modo cambia a Fuerte, Tornillo autoperforante, Suave o Medio cada vez que se presiona el botón.


[EY75A8]

- Selección de la potencia de impacto entre 3 modos (Fuerte, Suave, Medio).
Presione el botón de modo de potencia de impacto para ajustarlo. El modo cambia a Fuerte, Suave o Medio cada vez que se presiona el botón.

<p>Fuerte</p>  <p>EY75A7: 0 – 2500 rpm y 0 – 3100 ipm</p> <p>EY75A8: 0 – 2500 rpm y 0 – 3600 ipm</p>	<ul style="list-style-type: none"> Tareas que requieren un par motor elevado sin que haya posibilidad de romper el tornillo o de desconcharle la cabeza. <ul style="list-style-type: none"> * Fijación de un tornillo de tamaño más grande (M8 o mayor) * Fijación de un tornillo largo para madera
<p>Medio</p>  <p>EY75A7: 0 – 1450 rpm y 0 – 2900 ipm</p> <p>EY75A8: 0 – 1500 rpm y 0 – 2900 ipm</p>	<ul style="list-style-type: none"> Tareas que requieren un par motor moderado minimizando la posibilidad de romper el tornillo, desconcharle la cabeza, o romper la broca. <ul style="list-style-type: none"> * Fijación de un tornillo de diámetro más pequeño (tal como un M6)
<p>Suave</p>  <p>EY75A7: 0 – 950 rpm y 0 – 1900 ipm</p> <p>EY75A8: 0 – 1000 rpm y 0 – 1900 ipm</p>	<ul style="list-style-type: none"> Tareas que requieren un par motor limitado eliminando la posibilidad de romper el tornillo, desconcharle la cabeza, o romper la broca. Tareas que requieren daños mínimos en el acabado de la superficie exterior. <ul style="list-style-type: none"> * Fijación de un tornillo de diámetro más pequeño (M6 o más pequeño) * Fijación en plástico * Instalación de cartón yeso

* ipm = Impactos por minuto

Solo para EY75A7

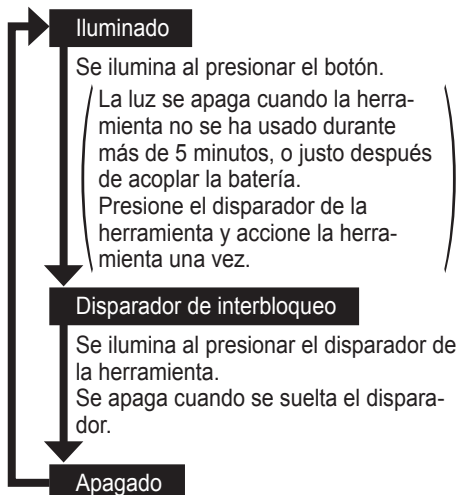
<p>Tornillo auto-roscante</p>  <p>0 – 2500 rpm y 0 – 1200 ipm</p>	<ul style="list-style-type: none"> Tareas que requieren un acabado plano del tornillo autopercutor. (diám. 4 mm × 15 mm o más pequeño) (Cambio automático de modo desde el modo Fuerte hasta menos rpm antes del acabado plano)
---	--

* ipm = Impactos por minuto

Evite pulsar repetidamente el interruptor cuando los pernos y tornillos están bien apretados. De lo contrario podría producirse un retraso en el inicio de la rotación o la pantalla del modo Impact Power podría parpadear y no permitir que la rotación comience para protección de circuito.

Luz indicadora

Presione el botón de luz y ajuste la iluminación.



La luz se enciende con muy poca corriente y no afecta adversamente el funcionamiento de la herramienta ni la capacidad de la batería.

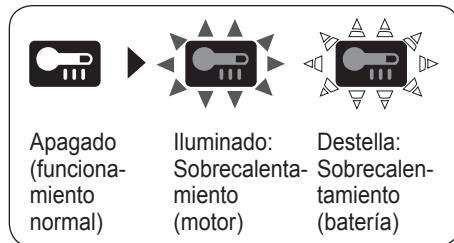
PRECAUCIÓN:

- La luz LED integrada se ha diseñado para iluminar la pequeña área de trabajo temporalmente.
- No lo utilice en lugar de una linterna normal ya que no tiene suficiente brillo.

PRECAUCIÓN: NO MIRE FIJAMENTE EL HAZ DE LUZ.

El uso de controles o ajustes o la realización de otros procedimientos que no sean los especificados puede producir una exposición a radiación peligrosa.

Advertencia de recalentamiento



Indica que se detuvo el funcionamiento por un sobrecalentamiento de la batería o el motor.

Para proteger el motor o la batería, asegúrese de observar lo siguiente cuando efectúe esta operación.

- Si el motor o la batería se calienta, se activará la función de protección y el motor o la batería dejará de funcionar. La lámpara de advertencia de sobrecalentamiento en el panel de control se ilumina o destella cuando esta característica está activada.
- Si se activa la función de protección de sobrecalentamiento, espere hasta que la herramienta se haya enfriado completamente (por lo menos 30 minutos). La herramienta está lista para usar cuando se apaga la luz de advertencia de sobrecalentamiento.
- Evite utilizar la herramienta de tal forma que la función de protección de sobrecalentamiento se active repetidamente.
- Si la herramienta funciona continuamente bajo condiciones de carga pesada o si se usa en condiciones de alta temperatura (tal como durante el verano), la protección contra sobrecalentamiento puede activarse frecuentemente.
- Si la herramienta se usa en condiciones de temperatura fría (tal como durante el invierno) o si se detiene con frecuencia durante el uso, la protección contra sobrecalentamiento quizás no se active. El funcionamiento de la EY9L42 se deteriora mucho por debajo de los 10 °C debido a las condiciones de trabajo y a otros factores.





Indicador de nivel de la batería

Presione el botón de nivel de la batería. El indicador de nivel de la batería muestra la carga de la batería en tres niveles mientras se presiona el botón. Conmuta al modo de potencia de impacto al soltar el botón.

NOTA:

El indicador no mostrará el nivel de la batería cuando se presiona el botón en los siguientes casos.

- La unidad principal está apagada.
- Justo después de acoplar la batería
- La unidad principal o el botón de nivel de la batería no se ha activado durante unos cinco minutos.
Presione de nuevo el botón de nivel de la batería después de presionar el disparador de la herramienta.
- Si la temperatura de la batería es elevada, detenga el funcionamiento y espere a que baje.

Indicador		Estado de la batería
	3 luces iluminadas	Carga suficiente
	2 luces iluminadas	Aprox. queda un 60% de carga
	Una luz iluminada	El nivel de la batería es bajo. Necesitará cargarse pronto
	3 luces parpadeando	Vacía Necesita cargarse inmediatamente

La indicación del nivel de la batería es sólo una guía.

La indicación puede cambiar debido al estado de la batería o a la temperatura ambiente.

Una descarga excesiva (completa) de las baterías de Li-ión acorta dramáticamente su vida de servicio. El destornillador contiene una función de protección de batería diseñada para evitar una descarga excesiva de la batería.

[Bloque de pilas]

Para un uso adecuado de la batería [Fig.6]

- Las baterías recargables tienen una vida útil limitada.
- Para una vida óptima de la batería, guarde la batería de Li-ión siguiendo el uso sin carga.
- Cuando haga funcionar con la batería, asegúrese que el lugar de trabajo está bien ventilado.

Para un uso más seguro

- La batería está diseñada para conectarse siguiendo dos pasos por motivos de seguridad. Compruebe que la batería está conectada correctamente en la unidad principal antes de utilizar la herramienta.
- Si la batería no ha quedado bien conectada, al activar el interruptor parpadearán la lámpara de aviso de sobrecalentamiento y la lámpara de aviso de bajo nivel de carga de batería, para indicar que no es posible un funcionamiento seguro, y la unidad principal no girará con normalidad. Conecte la batería a la unidad de la herramienta hasta que el indicador rojo o amarillo desaparezca.

Reciclado de la batería

ATENCIÓN:

La batería de Li-ión que compró es reciclable. Llame a 1-800-8-BATTERY para información sobre el reciclado de esta batería.



[Cargador de la batería]

Carga

⚠ PRECAUCIÓN:

- 1) Si la temperatura del paquete de baterías cae aproximadamente bajo -10°C (14°F), la carga se detendrá automáticamente para evitar la degradación de la batería.

- 2) La variación de temperatura ambiente es de entre 0°C (32°F) y 40°C (104°F). Si la batería se utiliza cuando la temperatura de la batería es inferior a 0°C (32°F), la herramienta puede no funcionar correctamente.
- 3) Utilice siempre el cargador a una temperatura entre 0°C y 40°C y cargue la batería a una temperatura similar a la de la propia batería. (Procure que no haya una diferencia superior a 15°C entre la temperatura de la batería y la del lugar donde se realiza la carga.)
- 4) Cuando se vaya a cargar una batería fría (unos 0°C (32°F) o menos) en un cuarto cálido, deje la batería en la habitación durante al menos una hora y cárguela cuando se haya calentado a la temperatura de la habitación.
- 5) Deje que se enfríe el cargador al cargar más de dos baterías de forma consecutiva.
- 6) No introduzca sus dedos dentro del hueco del contacto, cuando esté sujetando el cambiador o en ninguna otra ocasión.
- 7) Para impedir el riesgo de incendio o daños del cargador de batería.
 - No tapone los orificios de ventilación del cargador y la batería.
 - Desenchufe el cargador cuando no lo utilice.

NOTA:

Su batería no está totalmente cargada al momento de comprarla. Asegúrese de cargar la batería antes de utilizarla.

Cómo cargar

1. Enchufe el cargador en la fuente de alimentación de CA.

NOTA:

Se pueden producir chispas cuando se inserta el enchufe en la alimentación eléctrica de CA pero este no es un problema en términos de seguridad.
















2. Conecte el paquete de baterías firmemente en el cargador.
 - 1 Alinee las marcas de alineación y coloque la batería en el enchufe del cargador.

NOTA:

No todas las baterías muestran la marca de alineamiento (Q) (en página 2).

- 2 Deslice hacia adelante en el sentido de la flecha. [Fig.7 ➡]
3. La luz indicadora de carga permanecerá encendida durante la carga. Cuando haya terminado la carga, se activará automáticamente un conmutador electrónico interno para impedir cualquier sobrecarga.
 - La carga no se iniciará si la batería está caliente (por ejemplo, justo después de haber sido sometida a un gran esfuerzo). La luz de espera naranja seguirá destellando hasta que se enfríe la batería. La carga comenzará automáticamente.
4. La luz de carga (verde) destellará lentamente cuando la batería se haya cargado a un 80%.
5. Cuando se completa la carga, la luz de carga en verde se apagará.
6. Si la temperatura de la batería es de 0°C o menos, la batería demora más en cargarse completamente que el tiempo de carga normal. Incluso cuando la batería esté completamente cargada, tendrá aproximadamente 50% de la carga de una batería totalmente cargada a la temperatura de funcionamiento normal.
7. Si no se enciende la luz (verde) de carga consulte con un concesionario autorizado.
8. Si se vuelve a colocar una batería totalmente cargada en el cargador, se encenderá la luz de carga. Luego de algunos minutos, la lámpara de carga en verde se apagará.
9. Extraiga la batería manteniendo levantado el botón de liberación de batería. [Fig.7 ⇨]

INDICACIÓN DE LA LÁMPARA

		La carga ha sido completada. (Carga completa.)
		La batería se cargó en aproximadamente 80%.
		Ahora cargando.
		Se ha enchufado el cargador en la fuente de alimentación de CA. Está preparado para cargar.
 (Verde)  (Naranja)		Luz de estado de carga Aparecerá Izquierda: verde Derecha: naranja
		La batería está fría. La batería se está cargando lentamente para reducir la carga de la batería.
		La batería está caliente. La carga comenzará cuando baje la temperatura de la batería. Si la temperatura de la batería es de -10°C o menos, la luz de carga (naranja) también empezará a destellar. La carga empezará cuando sube la temperatura de la batería.
		No es posible realizar la carga. Existe un bloqueo de polvo o una falla de la batería.

 Apagada

 Iluminado

 Destella

VI. MANTENIMIENTO

- Utilice sólo un paño suave y seco para limpiar la herramienta.
No utilice paños húmedos, bencina, diluyentes u otros disolventes volátiles de limpieza.
- Para el caso en que el interior de la herramienta o el paquete de pilas estén expuestos al agua, drénelo o séquelo lo antes posible. Retire cuidadosamente cualquier polvo o restos de acero que queden dentro de la herramienta. Si experimenta problemas al utilizar la herramienta, póngase en contacto con su centro de servicio autorizado más cercano.

VII. ACCESORIOS OPCIONALES

Utilice sólo brocas de tamaño adecuado.

VIII. ANEXO

MÁXIMAS CAPACIDADES RECOMENDADAS

N.º de modelo		EY75A7	EY75A8
Apriete de tornillo	Tornillo para madera	Φ 3,5 mm – Φ 9,5 mm (1/8" – 3/8")	—
	Tornillo autorros-cante	Φ 3,5 mm – Φ 6 mm (1/8" – 1/4")	
Apriete de perno	Perno normal	M6 – M16 (1/4" – 5/8")	M10 – M20 (13/32" – 25/30")
	Perno de gran tracción	M6 – M12 (1/4" – 15/32")	M10 – M16 (13/32" – 5/8")

INFORMACIÓN ADICIONAL SOBRE LA GARANTÍA

- La rotura y los daños provocados por un uso continuado durante un periodo de tiempo prolongado (por ejemplo trabajos en líneas de montaje de fábricas, etc.) no están cubiertos por la garantía.
- Para el caso en que el interior de la herramienta o el paquete de pilas estén expuestos al agua, drénelo o séquelo lo antes posible. Retire cuidadosamente cualquier polvo o restos de acero que queden dentro de la herramienta. Si experimenta problemas al utilizar la herramienta, póngase en contacto con su centro de servicio autorizado más cercano.

IX. ESPECIFICACIONES TÉCNICAS

NOTA: Indicación de peso

Mayor que o igual a 1 kg:

Menos de 1 kg:

indicado por 0,05 kg (0,11 lbs).

indicado por 0,01 kg (0,02 lbs).

UNIDAD PRINCIPAL

N.º de modelo		EY75A7		EY75A8	
Voltaje del motor		14,4 V DC	18 V DC	14,4 V DC	18 V DC
Velocidad sin carga	Modo suave	0 – 950		0 – 1000	
	Modo medio	0 – 1450		0 – 1500	
	Modo fuerte	0 – 2500		0 – 2300	0 – 2500
[min ⁻¹ (rpm)]	Modo de tornillo auto perforante	0 – 2500		—	
Torsión máxima		155 N•m (15,8 kgf•m, 1370 in•lbs)	160 N•m (16,3 kgf•m, 1420 in•lbs)	260 N•m (26,5kgf•m, 2300 in•lbs)	280 N•m (28,6 kgf•m, 2480 in•lbs)
Impactos por minuto	Modo suave	0 – 1900			
	Modo medio	0 – 2900			
	Modo fuerte	0 – 3100		0 – 3400	0 – 3600
[min ⁻¹ (ipm)]	Modo de tornillo auto perforante	0 – 1200		—	
Longitud total		118 mm (4-21/32")		143 mm (5-5/8")	
Peso	EY9L45	1,55 kg (3,4 lbs)	—	1,65 kg (3,4 lbs)	—
	Con batería:	EY9L51	—	1,70 kg (3,7 lbs)	—
		EY9L53	—	1,50 kg (3,3 lbs)	1,60 kg (3,5 lbs)

BATERÍA

N.º de modelo	EY9L45	EY9L51	EY9L53
Batería de almacenaje	Batería Li-ión		
Tensión de batería	14,4 V DC	18 V DC	

NOTA : Este cuadro puede contener modelos no disponibles en su país.
Consulte el más reciente catálogo general.

CARGADOR DE BATERÍA

N.º de modelo		EY0L82		
Régimen		Vea la placa de especificaciones en la parte inferior del cargador.		
Peso		0,93 kg (2lbs)		
Tiempo de carga	N.º de modelo	EY9L45	EY9L51	EY9L53
	Completa	60 min.	70 min	60 min

Declaración de interferencias con radiofrecuencias de la Comisión Federal de Comunicaciones

Este equipo ha sido probado y se ha determinado que cumple con las limitaciones de un dispositivo digital de Clase B, de conformidad con el Apartado 15 de las regulaciones de FCC. Estas limitaciones están diseñadas para brindar protección razonable contra las interferencias perjudiciales en un entorno residencial. Este equipo genera, utiliza y puede irradiar energía de radiofrecuencia y, si no se instala y utiliza de acuerdo a las instrucciones, puede provocar interferencias perjudiciales en las comunicaciones de radio. Sin embargo, no existe ninguna garantía de que no se produzcan interferencias en una instalación concreta. Si este equipo provoca interferencias perjudiciales en la recepción de radio o televisión, lo que se puede determinar apagando y encendiendo el equipo, se recomienda al usuario intentar corregir la interferencia adoptando una de las siguientes medidas:

- Cambie la orientación o posición de la antena receptora.
- Aumente la separación entre el equipo y el receptor.
- Conecte el equipo en una toma de corriente de un circuito que no sea el mismo en el que está conectado el receptor.
- Consulte por ayuda a un proveedor o un técnico de radio/televisión con experiencia.

Precaución de FCC: Para asegurar un cumplimiento continuo, instale y use el equipo según las instrucciones provistas. Utilice solamente el paquete de pilas especificado en el manual de instrucciones. Cualquier cambio o modificación no aprobada expresamente por el grupo responsable de su certificación puede anular el derecho del usuario sobre el uso del equipo.

Este dispositivo cumple con el Apartado 15 de las regulaciones de FCC. La operación está sujeta a las siguientes dos condiciones (1) Este dispositivo no puede ocasionar interferencias que ocasionen daños y (2) este dispositivo debe aceptar cualquier interferencia, incluida una interferencia que pueda ocasionar una operación no deseada.

Este aparato digital de Clase B cumple con la norma canadiense ICES-003.

X. ESTÁNDARES ARMONIZADOS

UNIDAD PRINCIPAL

Cumple con UL Std.60745-1 y 60745-2-2
Certificado de CSA Std.C22.2 No. 60745-1 y 60745-2-2

CARGADOR DE BATERÍA

Cumple con UL Std.1310
Certificado de CSA Std.C22.2 No. 223-M91



Panasonic Eco Solutions North America
Two Riverfront Plaza, Newark, NJ 07102

Panasonic Canada Inc.
5770 Ambler Drive, Mississauga, Ontario, L4W 2T3
www.panasonic.ca