

# Service Manual

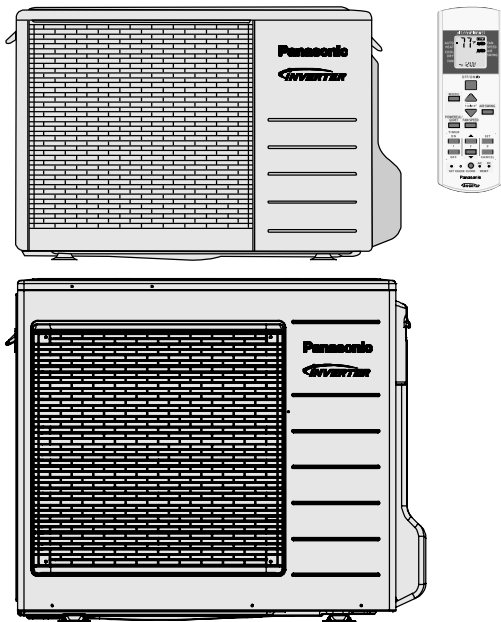
## Air Conditioner



**Indoor Unit**  
CS-E12RB4UW  
CS-E18RB4UW

**Outdoor Unit**  
CU-E12RB4U  
CU-E18RB4U

**Destination**  
USA  
Canada



### **⚠ WARNING**

This service information is designed for experienced repair technicians only and is not designed for use by the general public. It does not contain warnings or cautions to advise non-technical individuals of potential dangers in attempting to service a product. Products powered by electricity should be serviced or repaired only by experienced professional technicians. Any attempt to service or repair the products dealt with in this service information by anyone else could result in serious injury or death.

### **IMPORTANT SAFETY NOTICE**

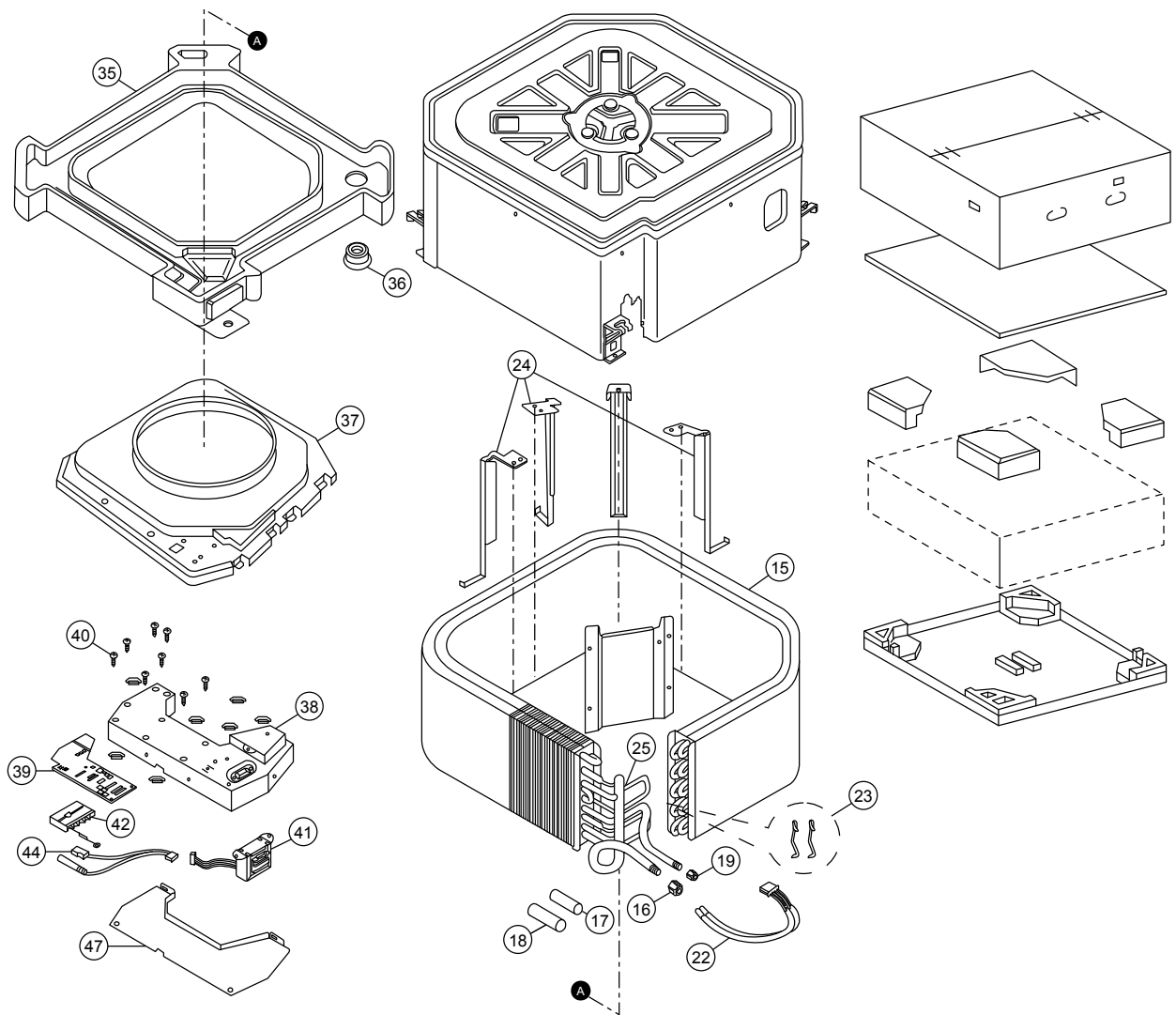
There are special components used in this equipment which are important for safety. These parts are marked by **⚠** in the Schematic Diagrams, Circuit Board Diagrams, Exploded Views and Replacement Parts List. It is essential that these critical parts should be replaced with manufacturer's specified parts to prevent shock, fire or other hazards. Do not modify the original design without permission of manufacturer.

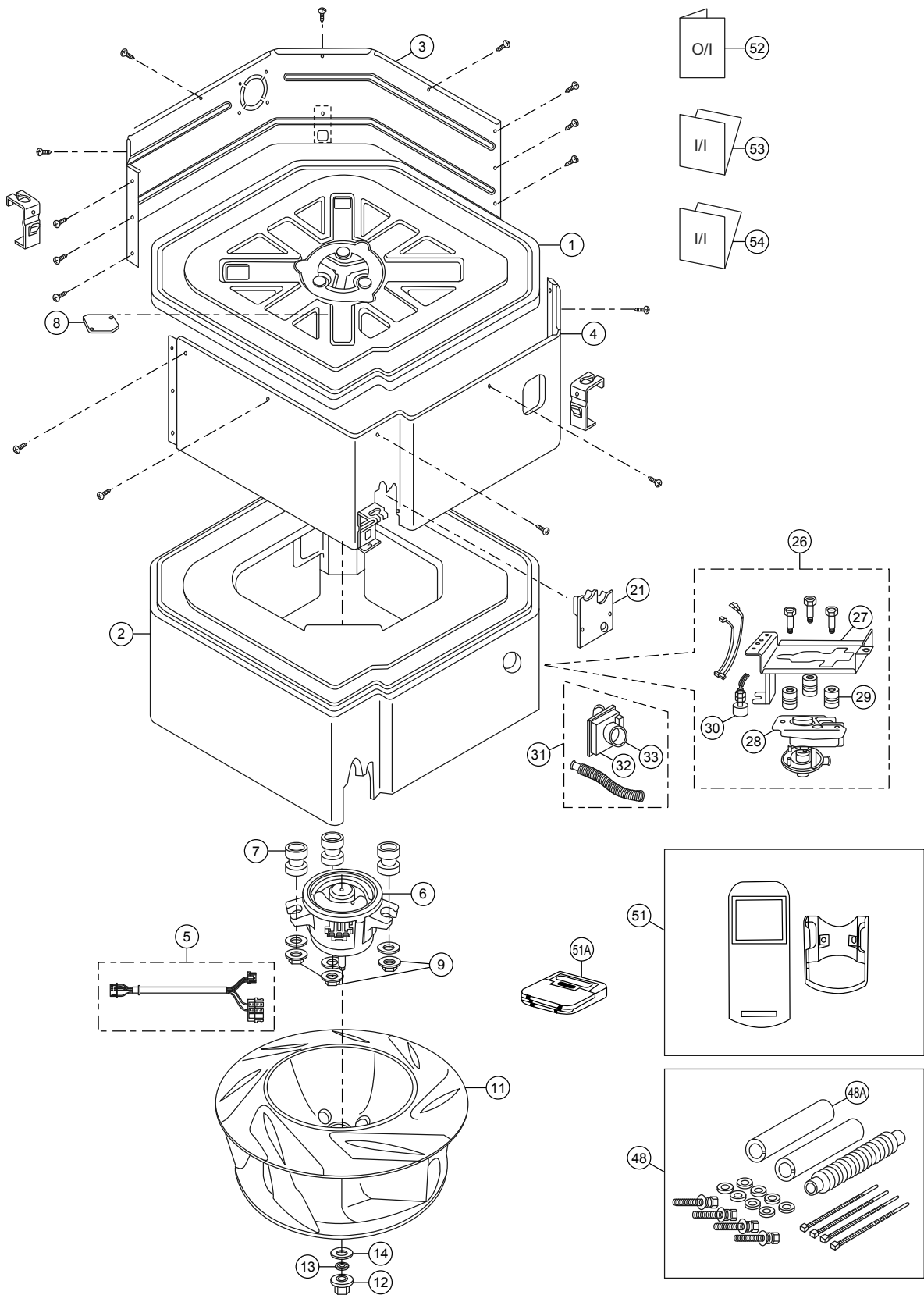
### **⚠ PRECAUTION OF LOW TEMPERATURE**

In order to avoid frostbite, be assured of no refrigerant leakage during the installation or repairing of refrigerant circuit.

# 19. Exploded View and Replacement Parts List

## 19.1 Indoor Unit





**Note:**  
 The above exploded view is for the purpose of parts disassembly and replacement.  
 The non-numbered parts are not kept as standard service parts.

<Model: CS-E12RB4UW CS-E18RB4UW>

SAFETY	REF. NO.	PART NAME & DESCRIPTION	QTY	CS-E12RB4UW	CS-E18RB4UW	REMARK
	1	BASE PAN ASS'Y	1	CWD52K1100	←	
	2	INNER POLYSTYRENE COMPLETE	1	CWG07C1047A	←	
	3	CABINET SIDE PLATE ASS'Y	1	CWE041121	←	
	4	CABINET SIDE PLATE ASS'Y	1	CWE041122	←	
	5	LEAD WIRE - FAN MOTOR	1	CWA67C5136	←	O
⚠	6	FAN MOTOR	1	EHDS50A40AC	←	O
	7	ANTI - VIBRATION BUSHING	3	CWH501065	←	
	8	CORD HOLDER	1	CWD741024	←	
	9	SCREW - FAN MOTOR	3	CWH561058	←	
⚠	11	TURBO FAN	1	CWH03K1022	←	
	12	NUT for TURBO FAN	1	CWH561042	←	
	13	SP WASHER	1	XWA8BFJ	←	
	14	WASHER	1	XWG8H22FJ	←	
	15	EVAPORATOR COMPLETE	1	CWB30C5022	←	
	16	FLARE NUT (1/2")	1	CWT251032	←	
	17	HEATPROOF TUBE	1	CWG021024	←	
	18	HEATPROOF TUBE	1	CWG021064	←	
	19	FLARE NUT (1/4")	1	CWT251030	←	
	21	PIPE COVER	1	CWD93C1163	←	
	22	SENSOR - EVAPORATOR	1	CWA50C2549	←	
	23	HOLDER SENSOR	2	CWH32143	←	
	24	EVAPORATOR SUPPORTER	3	CWD911529A	←	
	25	TUBE ASS'Y (CAPIL. TUBE)	1	CWT07K1188	←	
	26	DRAIN PUMP COMPLETE	1	CWB53C1055	←	O
	27	PANEL DRAIN PUMP ASS'Y	1	CWD93K1021	←	
	28	DRAIN PUMP	1	CWB532122	←	
	29	ANTI - VIBRATION BUSHING	3	CWH501080	←	
⚠	30	FLOAT SWITCH - DRAIN PUMP	1	CWA121233	←	O
	31	FLEXIBLE PIPE	1	CWH85C1115	←	
	32	DRAIN NOZZLE	1	CWH411011	←	
	33	DRAIN HOSE HEAT INSULATION	1	CWG321116	←	
	35	DRAIN PAN - COMPLETE	1	CWH40C1116	←	
	36	DRAIN PLUG	1	CWB821008	←	
	37	AIR GUIDER BLOWER WHEEL	1	CWD321058	←	
	38	CONTROL BOARD CASING	1	CWH10K1102	←	
⚠	39	ELECTRONIC CONTROLLER (MAIN)	1	CWA73C9226	CWA73C9227	O
	40	SPACER	6	CWH541026	←	
⚠	41	TRANSFORMER	1	CWA40C1030	←	O
⚠	42	TERMINAL BOARD ASS'Y	1	CWA28K1321	←	O
	44	LEADWIRE-AIR TEMP. SENSOR	1	CWA68C2214	←	O
	47	CONTROL BOARD COVER COM.	1	CWH13C1344	←	
	48	ACCESSORY COMPLETE	1	CWH82C2108	←	
	48A	HEATPROOF TUBE	1	CWG021116	←	
	51	WIRELESS REMOTE CONTROL COMPLETE	1	CWA75C4643	←	O
	51A	WIRED REMOTE CONTROL	1	CWA75C4516	←	

SAFETY	REF. NO.	PART NAME & DESCRIPTION	QTY	CS-E12RB4UW	CS-E18RB4UW	REMARK
	52	OPERATING INSTRUCTION	1	CWF569879	←	
	53	INSTALLATION INSTRUCTION	1	CWF616670	←	
	54	INSTALLATION INSTRUCTION	1	CWF616671	←	

(Note)

- All parts are supplied from PAPAMY, Malaysia (Vendor Code: 00029488).
- “O” marked parts are recommended to be kept in stock.