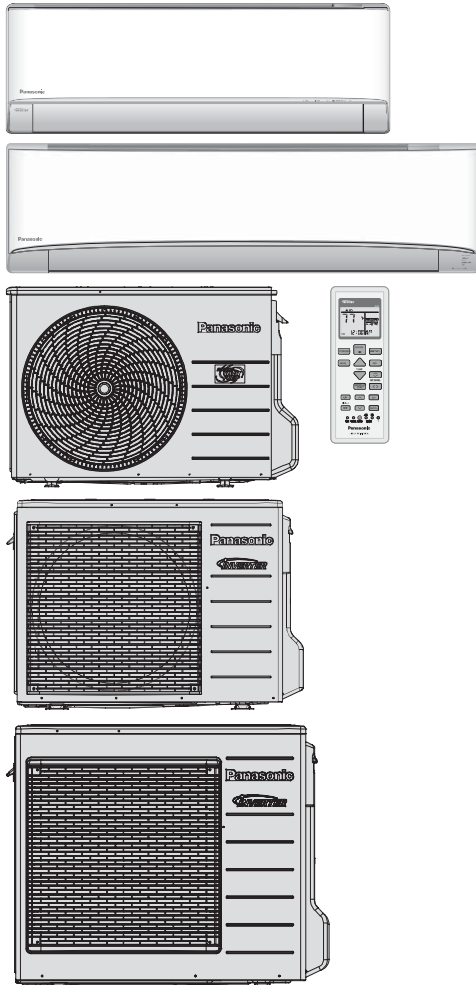


# PARTS LIST

## Air Conditioner

Outdoor Unit  
CU-XE15WKUA




Destination  
U.S.A.  
Canada

### WARNING

This service information is designed for experienced repair technicians only and is not designed for use by the general public. It does not contain warnings or cautions to advise non-technical individuals of potential dangers in attempting to service a product. Products powered by electricity should be serviced or repaired only by experienced professional technicians. Any attempt to service or repair the products dealt with in this service information by anyone else could result in serious injury or death.

### IMPORTANT SAFETY NOTICE

There are special components used in this equipment which are important for safety. These parts are marked by  in the Schematic Diagrams, Circuit Board Diagrams, Exploded Views and Replacement Parts List. It is essential that these critical parts should be replaced with manufacturer's specified parts to prevent shock, fire or other hazards. Do not modify the original design without permission of manufacturer.

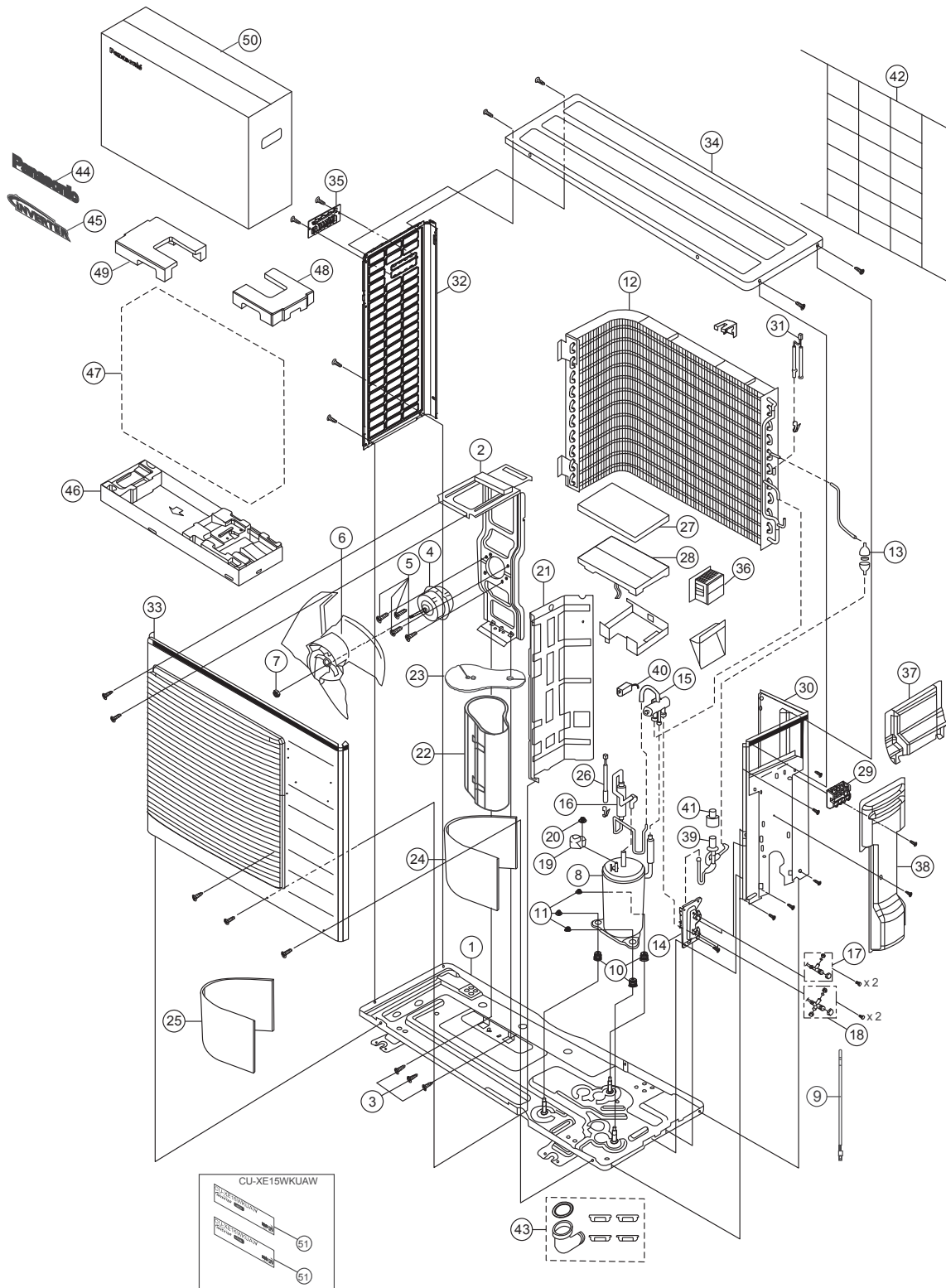
### PRECAUTION OF LOW TEMPERATURE

In order to avoid frostbite, be assured of no refrigerant leakage during the installation or repairing of refrigerant circuit.

# Panasonic<sup>®</sup>

© Panasonic Corporation 2020.

## 20.2.2 CU-XE15WKUA



**Note**  
 The above exploded view is for the purpose of parts disassembly and replacement.  
 The non-numbered parts are not kept as standard service parts.

| SAFETY PARTS | REF. NO. | PART NAME & DESCRIPTION           | QTY. | CU-XE15WKUA   | REMARKS |
|--------------|----------|-----------------------------------|------|---------------|---------|
|              | 1        | CHASSIS COMPLETE                  | 1    | ACXD52K00130A |         |
|              | 2        | FAN MOTOR BRACKET                 | 1    | CWD541153     |         |
|              | 3        | SCREW - FAN MOTOR BRACKET         | 3    | CWH551217     |         |
| ⚠            | 4        | FAN MOTOR                         | 1    | L6CBYYL0247   | O       |
|              | 5        | SCREW - FAN MOTOR MOUNT           | 4    | CWH551323     |         |
|              | 6        | PROPELLER FAN ASSY                | 1    | CWH03K1065    |         |
|              | 7        | NUT - PROPELLER FAN               | 1    | CWH56053J     |         |
| ⚠            | 8        | COMPRESSOR                        | 1    | 5RD132XBA21   | O       |
|              | 9        | CRANKCASE HEATER                  | 1    | CWA341072     |         |
|              | 10       | ANTI - VIBRATION BUSHING          | 3    | CWH50077      |         |
|              | 11       | NUT - COMPRESSOR MOUNT            | 3    | CWH561096     |         |
|              | 12       | CONDENSER                         | 1    | ACXB32C00610  |         |
|              | 13       | STRAINER                          | 1    | CWB111076     |         |
|              | 14       | HOLDER COUPLING                   | 1    | CWH351228A    |         |
|              | 15       | 4-WAYS VALVE                      | 1    | CWB001057     |         |
|              | 16       | DISCHARGE MUFFLER(4 W.VALVE)      | 1    | CWB121047     |         |
|              | 17       | 2-WAYS VALVE (LIQUID)             | 1    | CWB021400     |         |
|              | 18       | 3-WAY VALVE (GAS)                 | 1    | CWB011338     |         |
|              | 19       | TERMINAL COVER                    | 1    | CWH171039A    |         |
|              | 20       | NUT - TERMINAL COVER              | 1    | CWH7080300J   |         |
|              | 21       | SOUND PROOF BOARD                 | 1    | CWH151379     |         |
|              | 22       | SOUND PROOF MATERIAL - COMP. BODY | 1    | CWG302950     |         |
|              | 23       | SOUND PROOF MATERIAL - COMP. TOP  | 1    | CWG302630     |         |
|              | 24       | SOUND PROOF MATERIAL              | 1    | CWG302632     |         |
|              | 25       | SOUND PROOF MATERIAL              | 1    | CWG302636     |         |
| ⚠            | 26       | SENSOR CO-COMP TEMP               | 1    | CWA50C2343    | O       |
|              | 27       | CONTROL BOARD COVER-TOP           | 1    | CWH131333     |         |
| ⚠            | 28       | ELECTRONIC CONTROLLER - MAIN      | 1    | ACXA73C61620R | O       |
| ⚠            | 29       | TERMINAL BOARD ASSY               | 1    | CWA28K1154    | O       |
|              | 30       | CABINET SIDE PLATE CO. - RIGHT    | 1    | CWE041732A    |         |
| ⚠            | 31       | SENSOR CO-AIR TEMP AND PIPE TEMP  | 1    | CWA50C2710    | O       |
|              | 32       | CABINET SIDE PLATE - LEFT         | 1    | CWE041733A    |         |
|              | 33       | CABINET FRONT PLATE CO.           | 1    | CWE06K1101    |         |
|              | 34       | CABINET TOP PLATE                 | 1    | CWE031131A    |         |
|              | 35       | HANDLE                            | 1    | CWE161010     |         |
| ⚠            | 36       | REACTOR                           | 1    | G0C203J00003  |         |
|              | 37       | CONTROL BOARD COVER               | 1    | CWH131409     |         |
|              | 38       | CONTROL BOARD COVER-COMPLETE      | 1    | CWH13C1308    |         |
|              | 39       | EXPANSION VALVE                   | 1    | ACXB05-00400  |         |
| ⚠            | 40       | V-COIL COMPLETE (4 WAY VALVE)     | 1    | CWA43C2392    | O       |
| ⚠            | 41       | V-COIL COMPLETE (EXPENSION VALVE) | 1    | ACXA43C01520  | O       |
|              | 42       | WIRE NET                          | 1    | CWD041155A    |         |
|              | 43       | BAG-COMPLETE (L-TUBE)             | 1    | ACXH82C00350  |         |
|              | 44       | BADGE -PANASONIC                  | 1    | CWE373439     |         |
|              | 45       | BADGE -INVERTER                   | 1    | CWE373441     |         |
|              | 46       | BASE BOARD-COMPLETE               | 1    | CWG62C1131    |         |
|              | 47       | BAG                               | 1    | CWG861461     |         |

| SAFETY PARTS | REF. NO. | PART NAME & DESCRIPTION | QTY. | CU-XE15WKUA  | REMARKS |
|--------------|----------|-------------------------|------|--------------|---------|
|              | 48       | SHOCK ABSORBER ( R )    | 1    | CWG713218    |         |
|              | 49       | SHOCK ABSORBER ( L )    | 1    | CWG713217    |         |
|              | 50       | C.C.CASE                | 1    | ACXG50-52141 |         |
|              | 51       | MODEL LABEL             | 2    | ACXF85-26680 |         |

(NOTE)

- All parts are supplied from PAPAMY, Malaysia (Vendor Code: 00029488).
- "O" marked parts are recommended to be kept in stock.